

SVM

Product Catalogue.



TESK

South Africa.

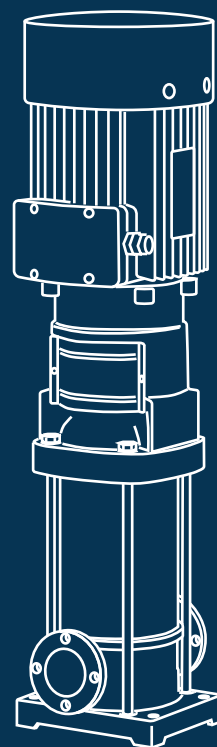
Important information:

This document should be read in conjunction with the technical manual from the suppliers. The contents in this document remains the property of Vansan SA (Pty) Ltd and may not be distributed without the explicit written consent of Management.



Contents

SVM1-Range	2
SVM2-Range	4
SVM3-Range	6
SVM4-Range	8
SVM5-Range	10
SVM8-Range	12
SVM10-Range	14
SVM12-Range	16
SVM15-Range	18
SVM16-Range	20
SVM20-Range	22
SVM32-Range	24
SVM45-Range	26
SVM64-Range	28
SVM90-Range	30
SVM120-Range	32
SVM150-Range	34
SVM200-Range	36
Sizes & Measurements	38



South Africa.

SVM1

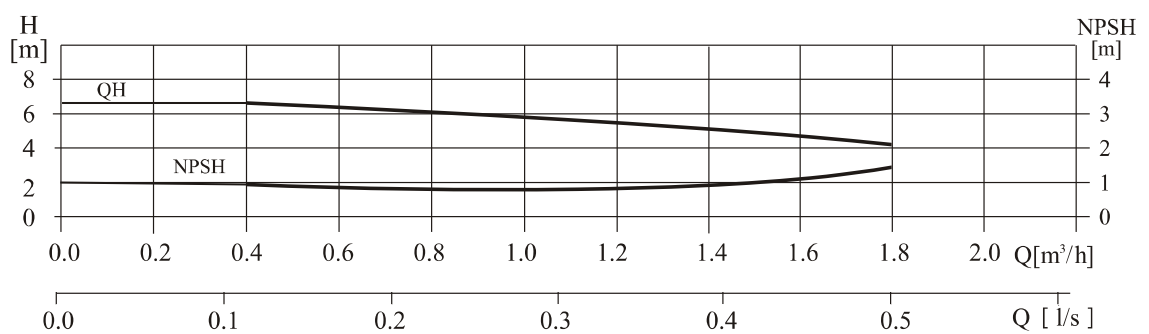
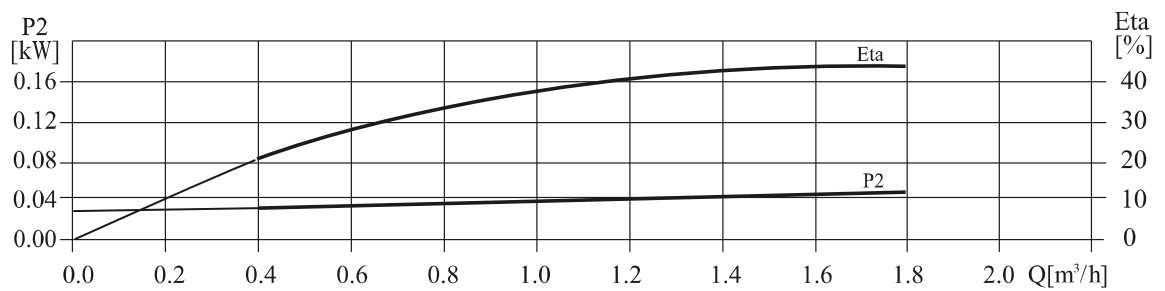
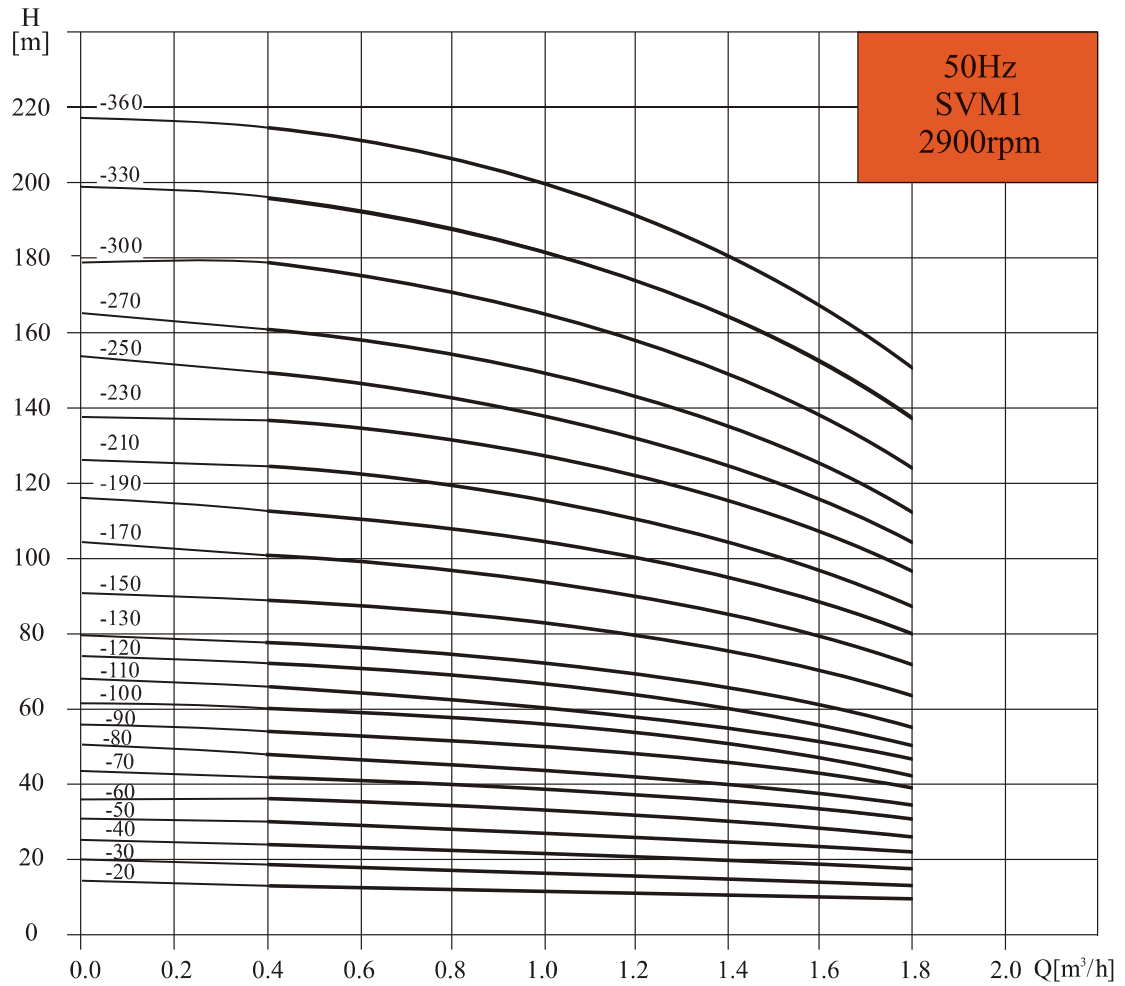
SVM1



Performance table

Model	Associated motor(kW)	Q (m ³ /h)	0.4	0.6	0.8	1.0	1.2	1.4	1.6	1.8
SVM1-20	0.37	H (m)	13	12.5	12	11.5	11	10.5	10	9.5
SVM1-30	0.37		19	18	17.5	17	16.5	16	15	14
SVM1-40	0.37		24	23.5	23	22.5	21.5	21	19	18
SVM1-50	0.37		30	29.6	29	28	27	26	24	22
SVM1-60	0.37		36	35.5	35	33.5	33	31	28	26
SVM1-70	0.37		42	41	40.5	39	38	36	33	30
SVM1-80	0.55		48	47	46	45	43	41	38	34
SVM1-90	0.55		54	53	52	51	49	46	43	39
SVM1-100	0.55		60	59	58	57	54	51	48	43
SVM1-110	0.55		66	65	63	61	59	56	52	47
SVM1-120	0.75		72	71	69	67	64	61	57	51
SVM1-130	0.75		78	77	75	73	69	66	62	55
SVM1-150	0.75		89	88	86	84	79	76	71	63
SVM1-170	1.1		101	99	97	95	89	86	80	71
SVM1-190	1.1		113	110	108	106	99	96	89	79
SVM1-210	1.1		124	122	120	117	110	106	98	87
SVM1-230	1.1		137	133	131	128	121	116	107	96
SVM1-250	1.5		149	145	143	139	131	126	116	104
SVM1-270	1.5		161	157	155	150	141	136	125	112
SVM1-300	1.5		178	175	171	166	157	150	139	124
SVM1-330	2.2	196	192	188	183	173	165	154	137	
SVM1-360	2.2	214	210	205	200	190	181	169	151	

Performance curves



SVM2

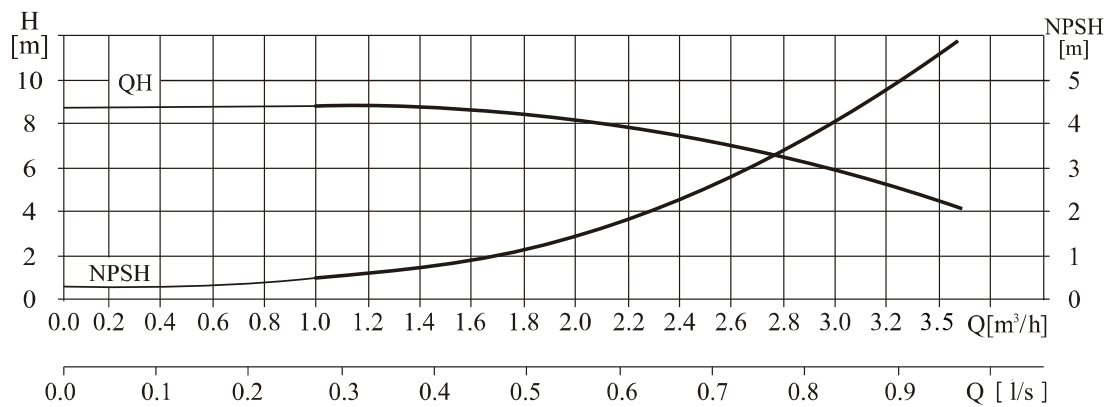
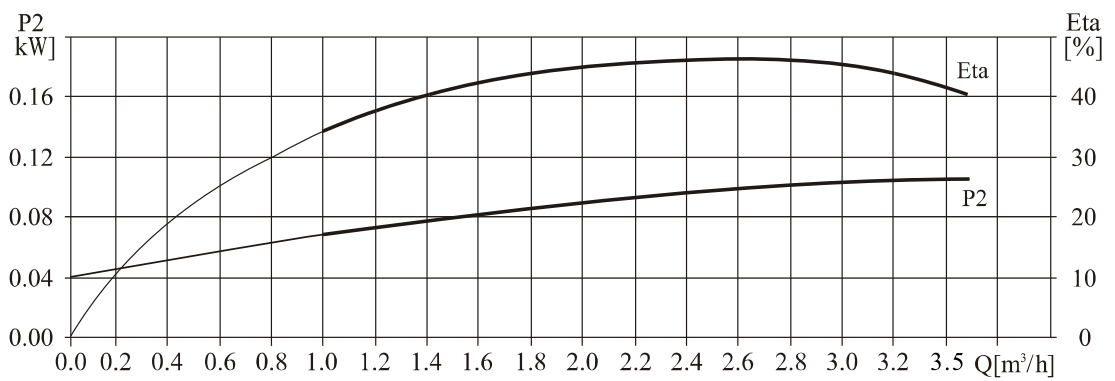
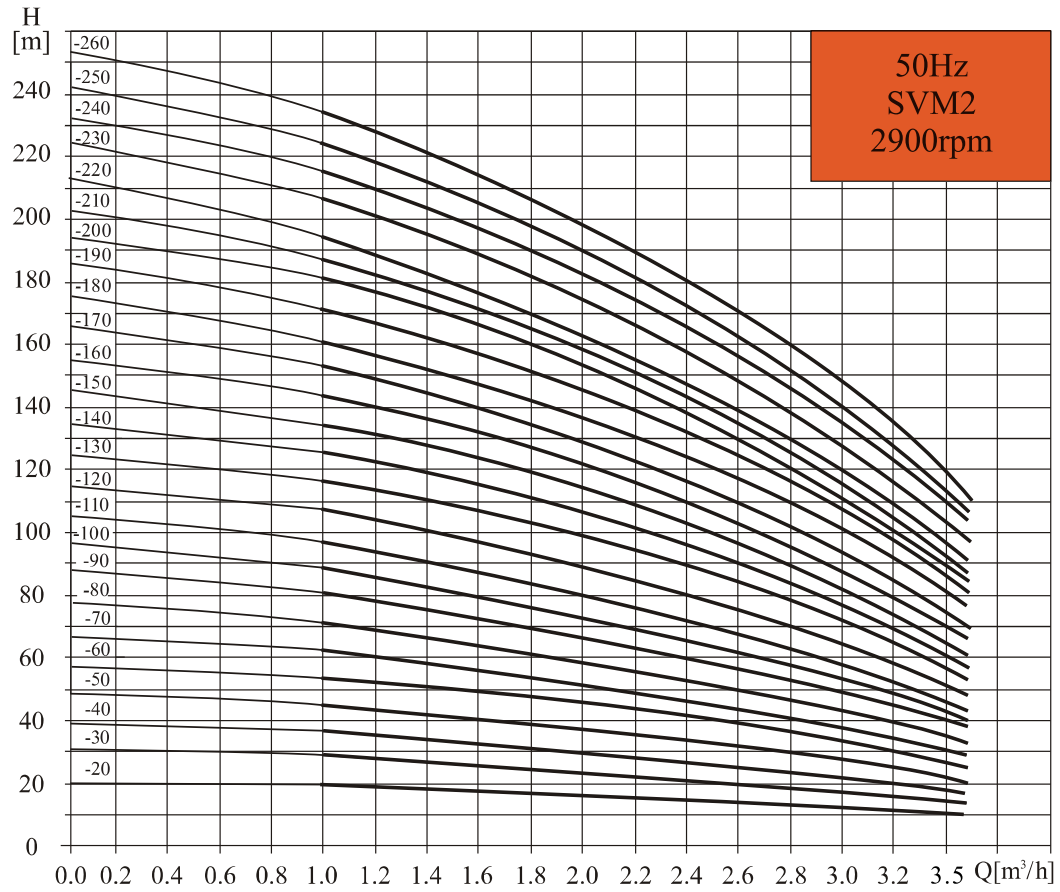
SVM2



Performance table

Model	Associated motor(kW)	Q (m ³ /h)	1	1.2	1.6	2.0	2.4	2.8	3.2	3.5
SVM2-20	0.37	H (m)	18	17	16	15	13	12	10	8
SVM2-30	0.37		27	26	24	22	20	18	15	12
SVM2-40	0.55		36	35	33	30	26	24	20	16
SVM2-50	0.55		45	43	40	37	33	30	24	20
SVM2-60	0.75		53	52	50	45	40	36	30	24
SVM2-70	0.75		63	61	57	52	47	41	35	28
SVM2-90	1.1		80	78	73	67	61	54	45	37
SVM2-110	1.1		98	95	89	82	73	64	54	44
SVM2-130	1.5		116	114	106	98	89	78	65	52
SVM2-150	1.5		134	130	123	112	100	90	73	60
SVM2-180	2.2		161	157	148	136	121	108	91	76
SVM2-220	2.2		197	192	180	165	148	130	110	90
SVM2-260	3.0		232	228	214	198	179	158	130	110

Performance curves



SVM3

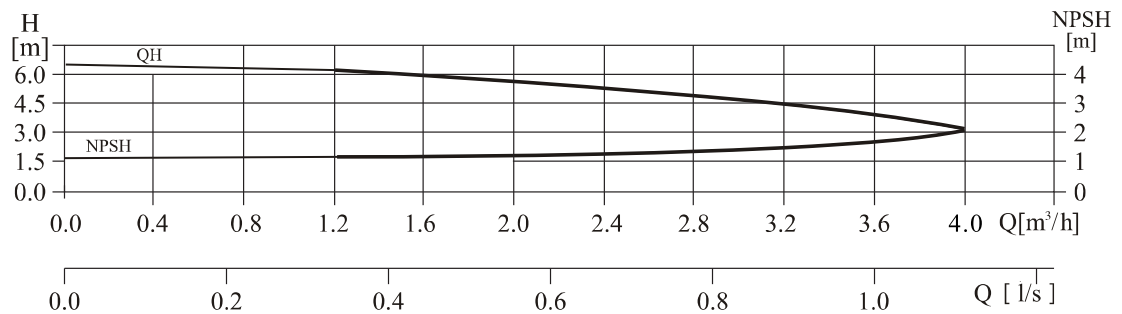
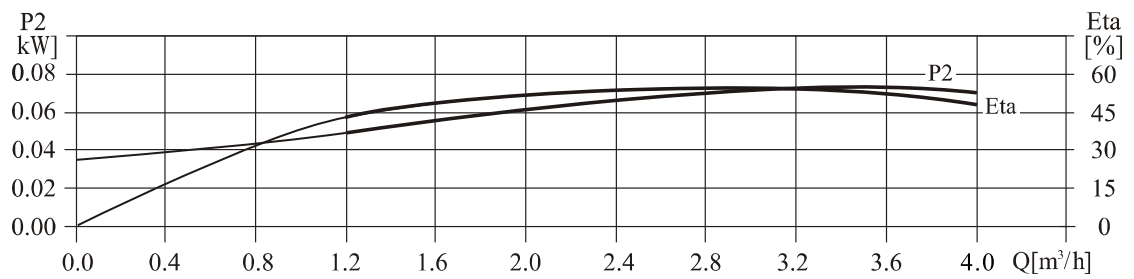
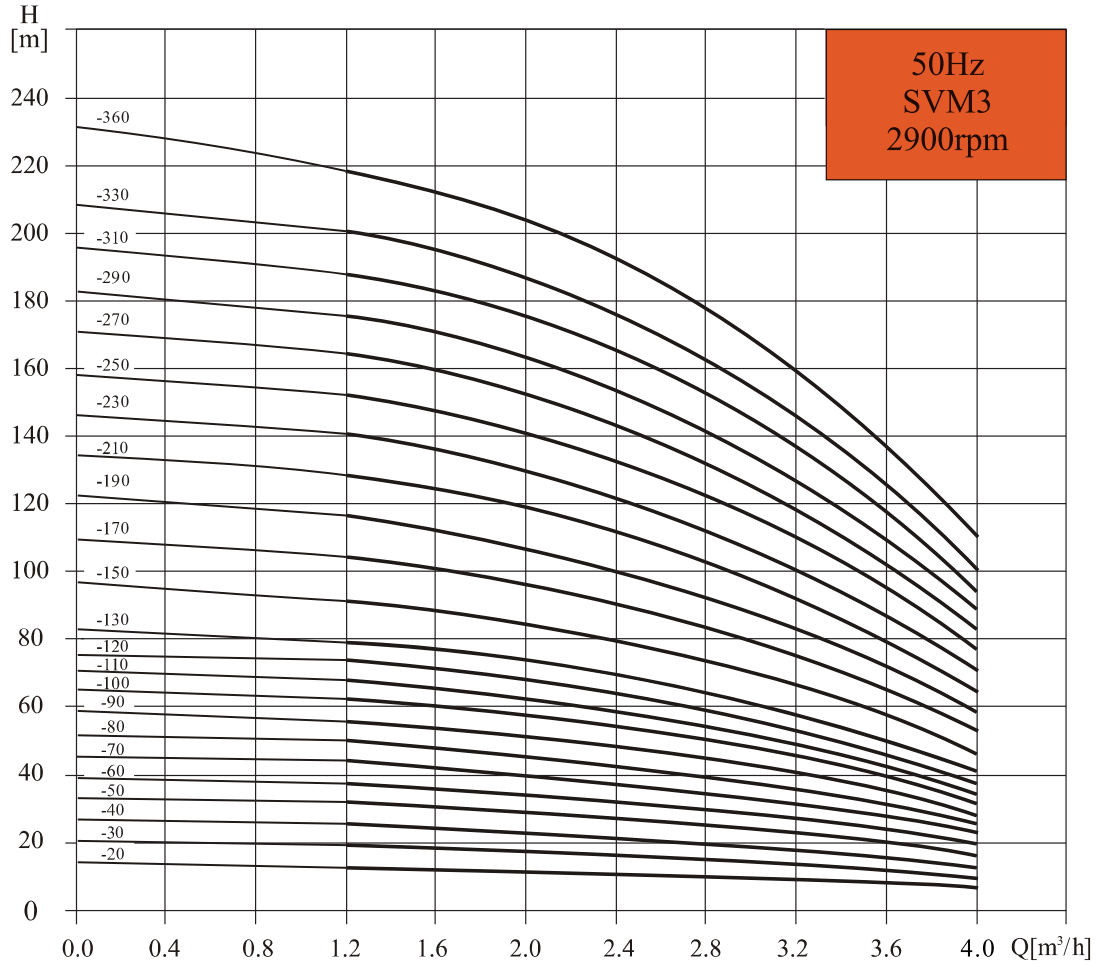
SVM3



Performance table

Model	Associated motor(kW)	Q (m ³ /h)	1.2	1.6	2.0	2.4	2.8	3.0	3.2	3.6	4.0
SVM3-20	0.37	H (m)	12.5	11.5	11	10.5	10	9	8	7	6
SVM3-30	0.37		19	18.5	17.5	16.5	15	14	13	11	9
SVM3-40	0.37		25	24	23	21.5	20	19	18	15	12
SVM3-50	0.37		31	30	29	27	25	23	22	19	16
SVM3-60	0.55		36	35	34	32	30	28	27	23	19
SVM3-70	0.55		43	41	39	37	34	32	31	27	22
SVM3-80	0.75		49	47	45	43	39	37	35	31	25
SVM3-90	0.75		55	53	51	48	45	42	40	35	28
SVM3-100	0.75		61	59	57	54	50	47	45	39	31
SVM3-110	1.1		67	64	61	58	54	51	49	42	34
SVM3-120	1.1		73	70	67	63	58	55	52	45	37
SVM3-130	1.1		78	76	73	69	64	60	57	49	40
SVM3-150	1.1		90	88	84	79	73	69	66	57	46
SVM3-170	1.5		103	100	96	90	83	79	75	64	52
SVM3-190	1.5		115	112	107	100	92	88	83	72	58
SVM3-210	2.2		128	124	119	112	102	98	91	79	64
SVM3-230	2.2		140	135	130	122	112	107	100	86	70
SVM3-250	2.2		151	147	141	131	122	116	109	94	76
SVM3-270	2.2		164	159	152	143	132	124	117	101	82
SVM2-290	2.2		175	170	163	153	142	133	126	109	88
SVM3-310	3.0	187	182	175	165	153	142	135	116	94	
SVM3-330	3.0	199	194	187	176	163	151	145	125	100	
SVM3-360	3.0	218	212	204	192	178	168	159	137	109	

Performance curves



SVM4

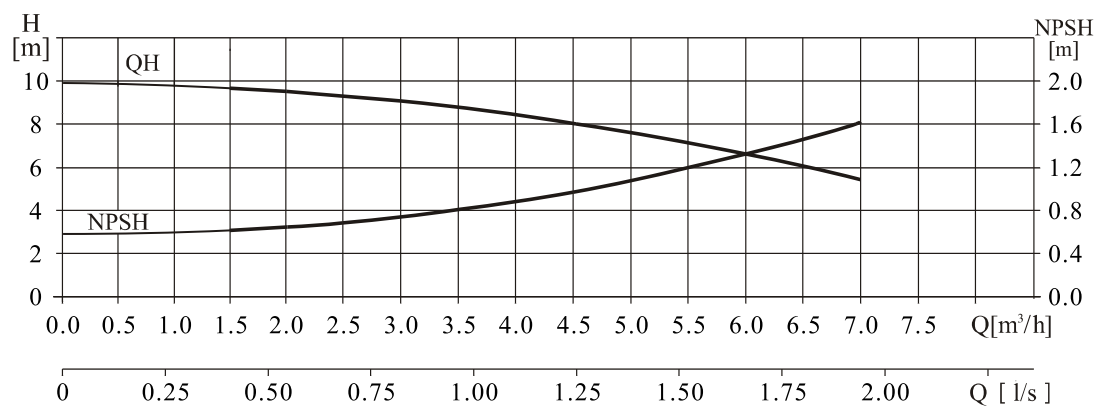
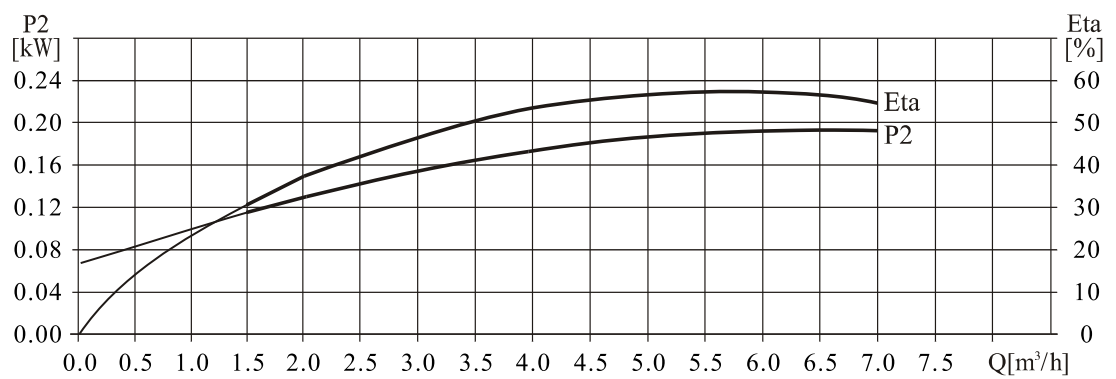
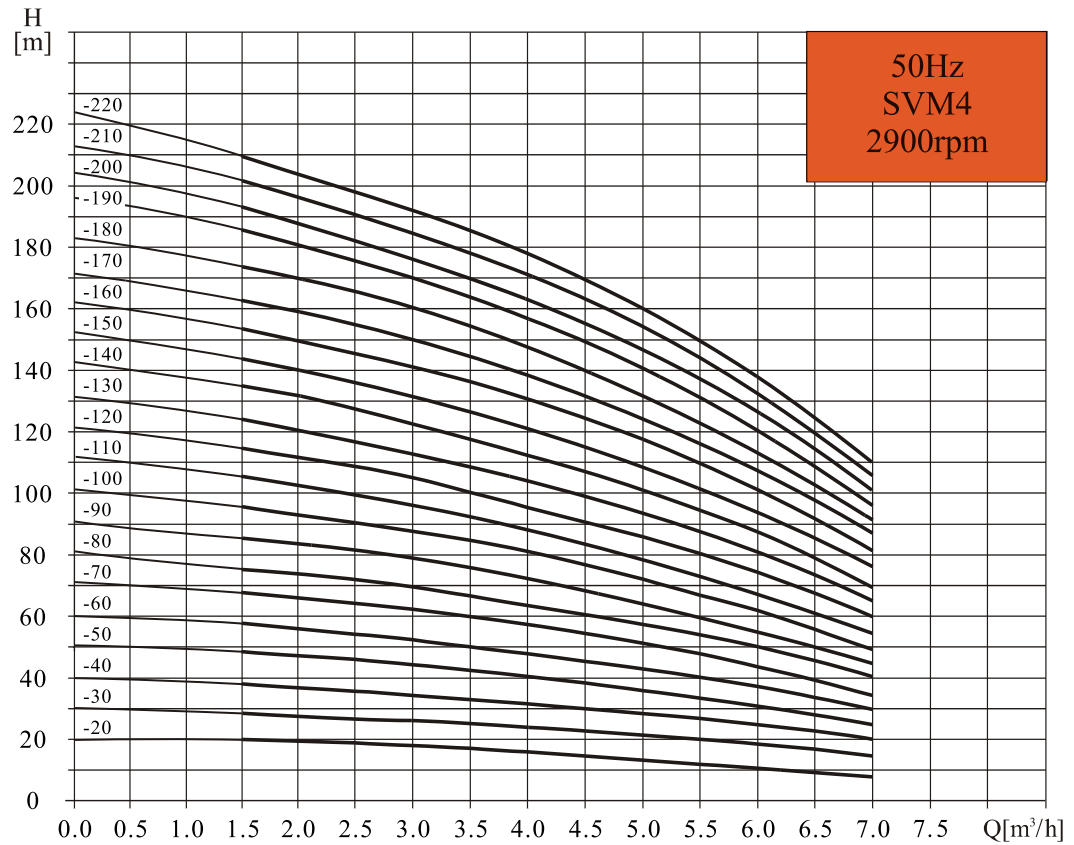
SVM4



Performance table

Model	Associated motor(kW)	Q (m ³ /h)	1.5	2.0	3.0	4.0	5.0	6.0	7.0
SVM4-20	0.37	H (m)	19	18	17	15	13	10	8
SVM4-30	0.55		28	27	26	24	20	18	13
SVM4-40	0.75		38	36	34	32	27	24	19
SVM4-50	1.1		47	45	43	40	34	31	23
SVM4-60	1.1		56	54	52	48	41	37	28
SVM4-70	1.5		66	63	61	56	48	43	33
SVM4-80	1.5		74	72	70	64	55	50	38
SVM4-100	2.2		96	90	87	81	71	62	48
SVM4-120	2.2		114	108	104	95	85	75	58
SVM4-140	3.0		136	126	122	112	101	89	68
SVM4-160	3.0		152	144	140	129	115	101	78
SVM4-190	4.0		183	171	168	153	137	122	93
SVM4-220	4.0		211	200	192	178	160	138	108

Performance curves



SVM5

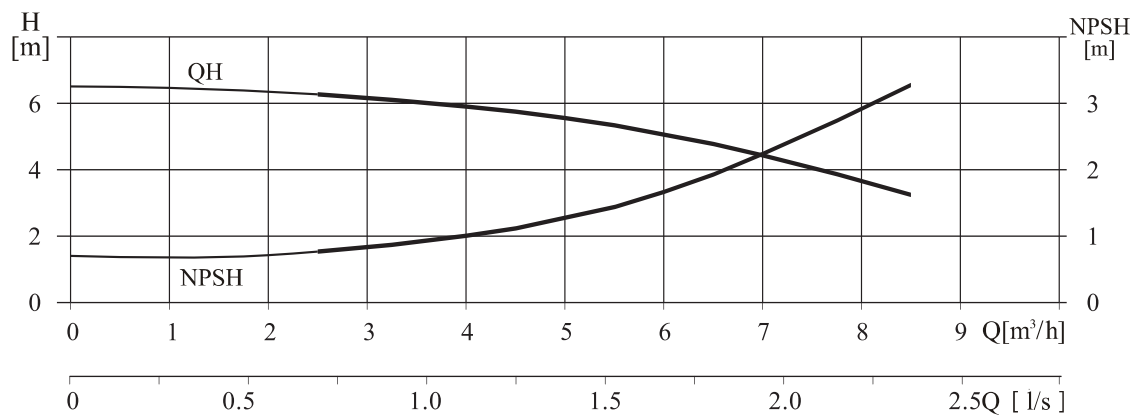
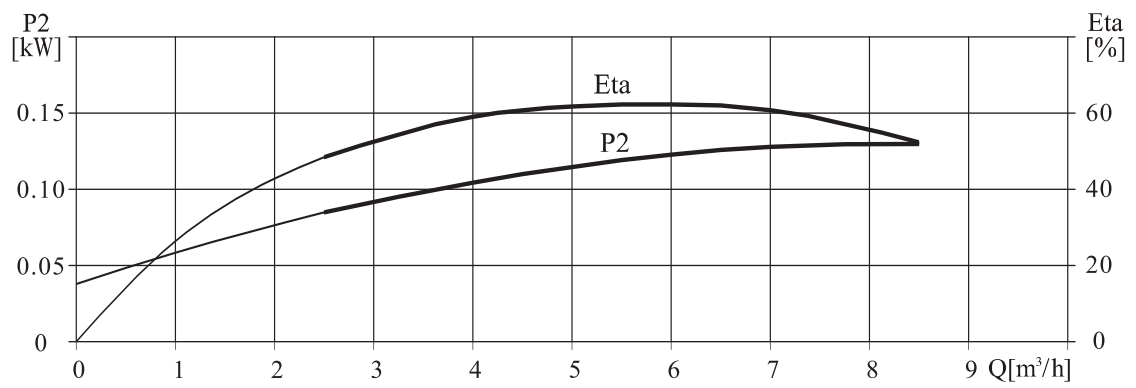
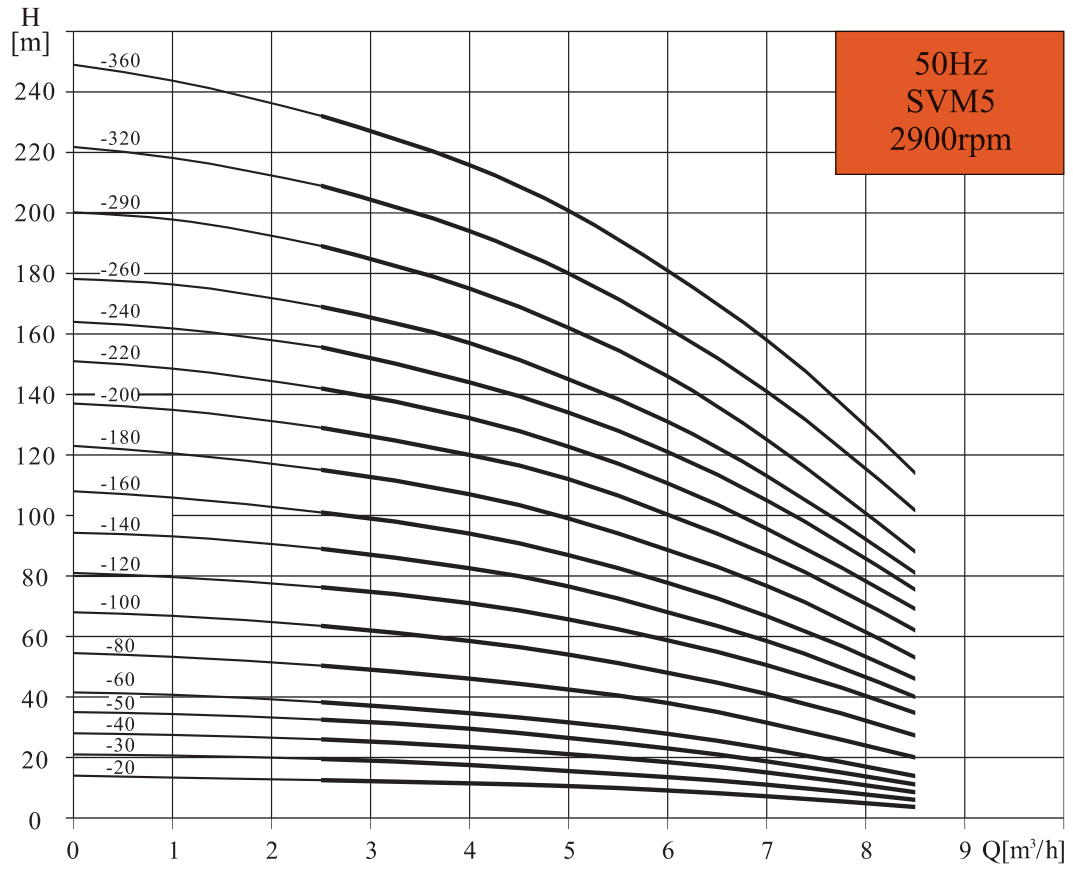
SVM5



Performance table

Model	Associated motor(kW)	Q (m ³ /h)	2.5	4	5	6	7	8.5
SVM5-20	0.37	H (m)	12.5	11.5	10.5	9	7	3.5
SVM5-30	0.55		19.5	17.5	15.5	13.5	11	6
SVM5-40	0.55		26	23.5	21	18.5	15	8.5
SVM5-50	0.75		32.5	29.5	26.5	23	18.5	11
SVM5-60	1.1		38.5	34.5	31.5	28	23	14
SVM5-80	1.1		50.5	46	42.5	38	31.5	20
SVM5-100	1.5		63.5	58.5	54	48	41	27.5
SVM5-120	2.2		76	71	65.5	58.5	50.5	35
SVM5-140	2.2		89	82	76.5	68	58.5	40
SVM5-160	2.2		101	94	87	77.5	66.5	46
SVM5-180	3.0		115	107	99	88.5	77	53
SVM5-200	3.0		129	120	112	100	87	62
SVM5-220	4.0		142	132	123	111	96	69
SVM5-240	4.0		156	144	134	121	105	75.5
SVM5-260	4.0		169	157	145	131	113	81
SVM5-290	4.0		189	175	162	146	125	88
SVM5-320	5.5		209	194	180	162	141	102
SVM5-360	5.5		232	216	201	181	158	114

Performance curves



SVM8

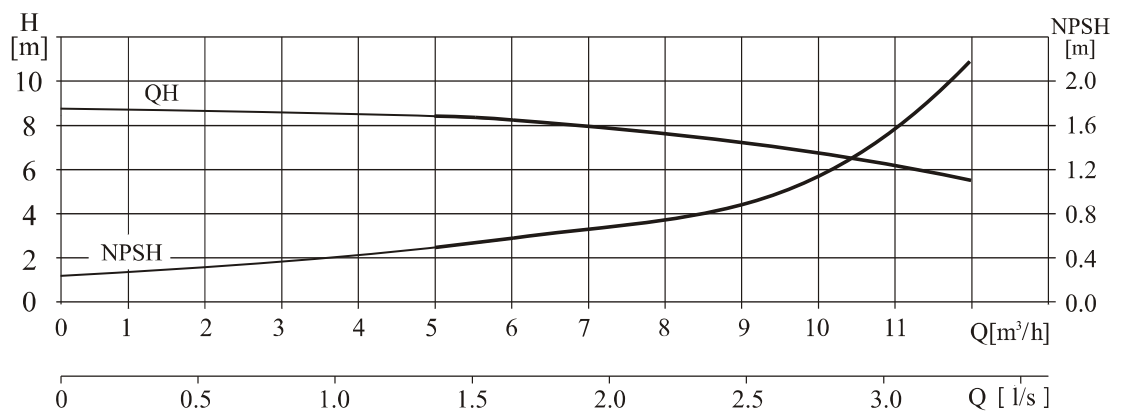
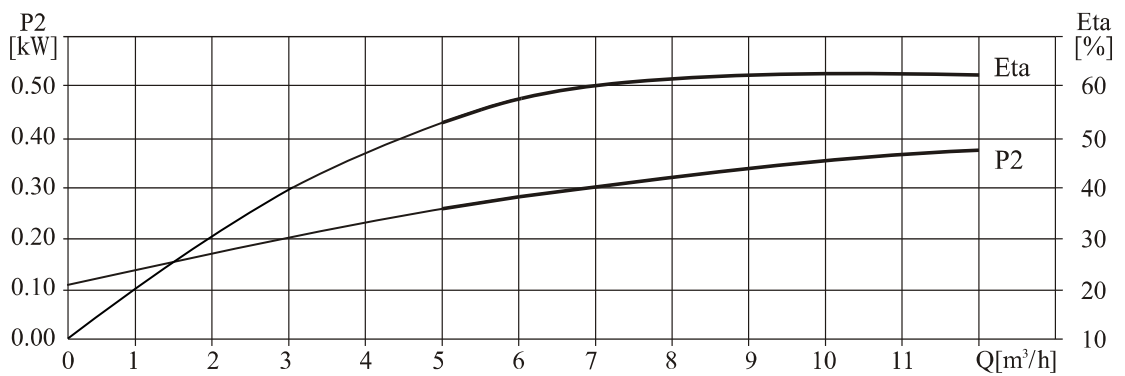
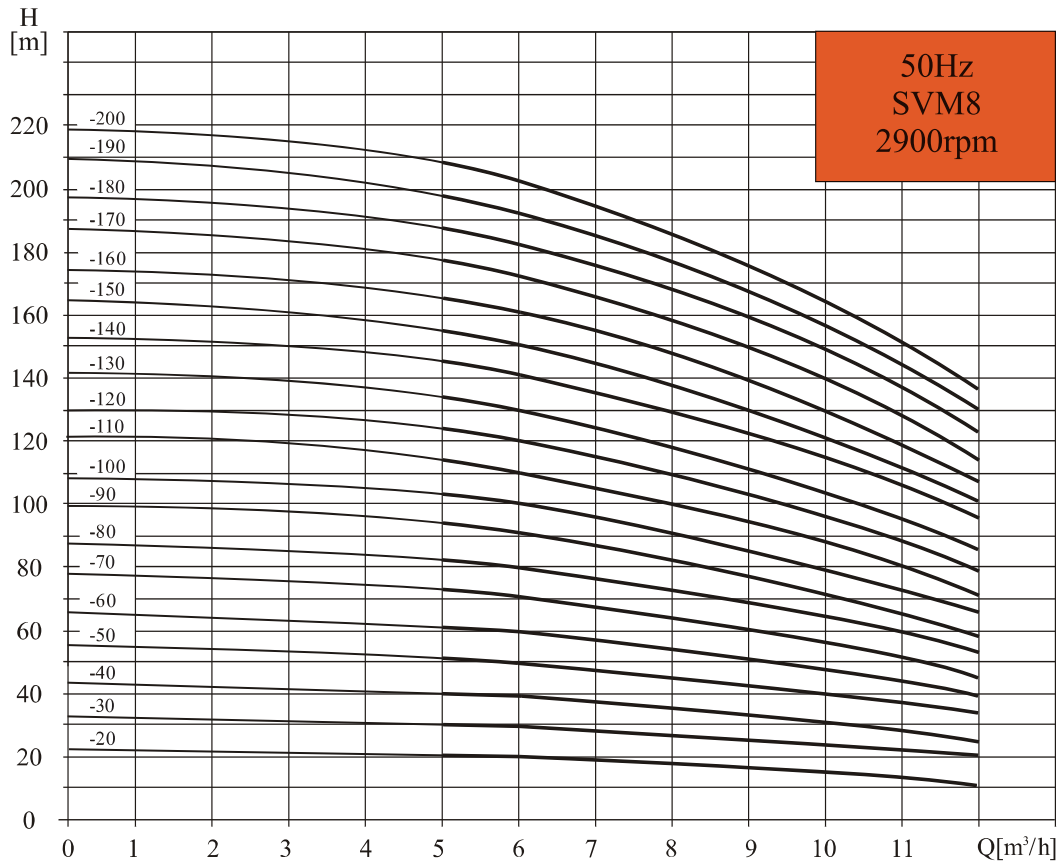
SVM8



Performance table

Model	Associated motor(kW)	Q (m ³ /h)	5	6	7	8	9	10	11	12
SVM8-20	0.75	H (m)	20	19.5	19	18	17	16	14	13
SVM8-30	1.1		30	29.5	28.5	27	25	24	21	19
SVM8-40	1.5		41	39.5	38	36	34	32	28	26
SVM8-50	2.2		52	50	48	45	42	40	36	32
SVM8-60	2.2		62	60	57	54	51	48	43	39
SVM8-80	3.0		83	80	77	73	69	65	58	52
SVM8-100	4.0		104	100	97	92	87	81	73	65
SVM8-120	4.0		124	120	116	111	104	92	87	78
SVM8-140	5.5		145	141	136	130	122	113	102	92
SVM8-160	5.5		166	161	156	148	139	130	118	106
SVM8-180	7.5		187	182	175	167	157	146	134	120
SVM8-200	7.5		208	202	195	186	175	163	150	135

Performance curves



SVM10

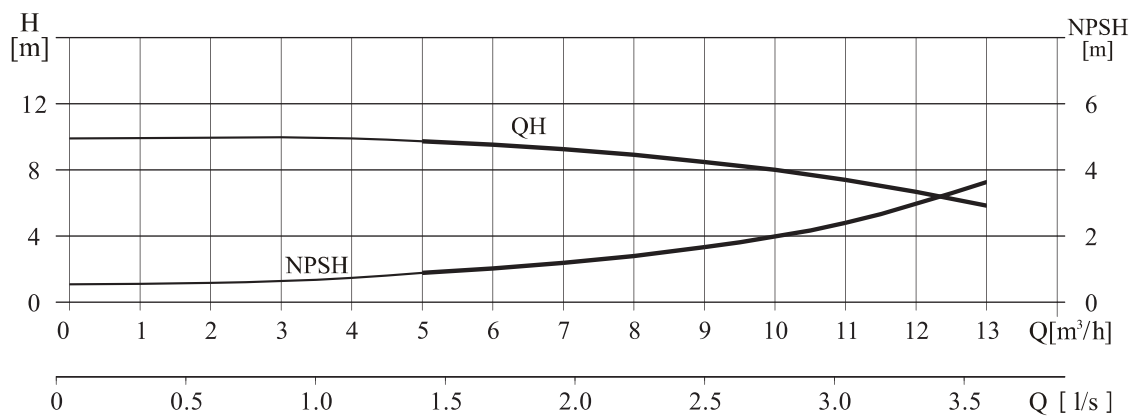
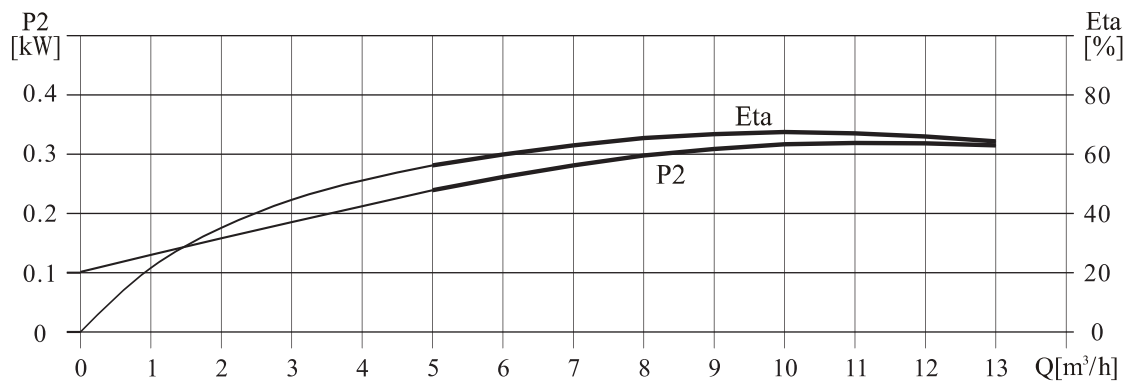
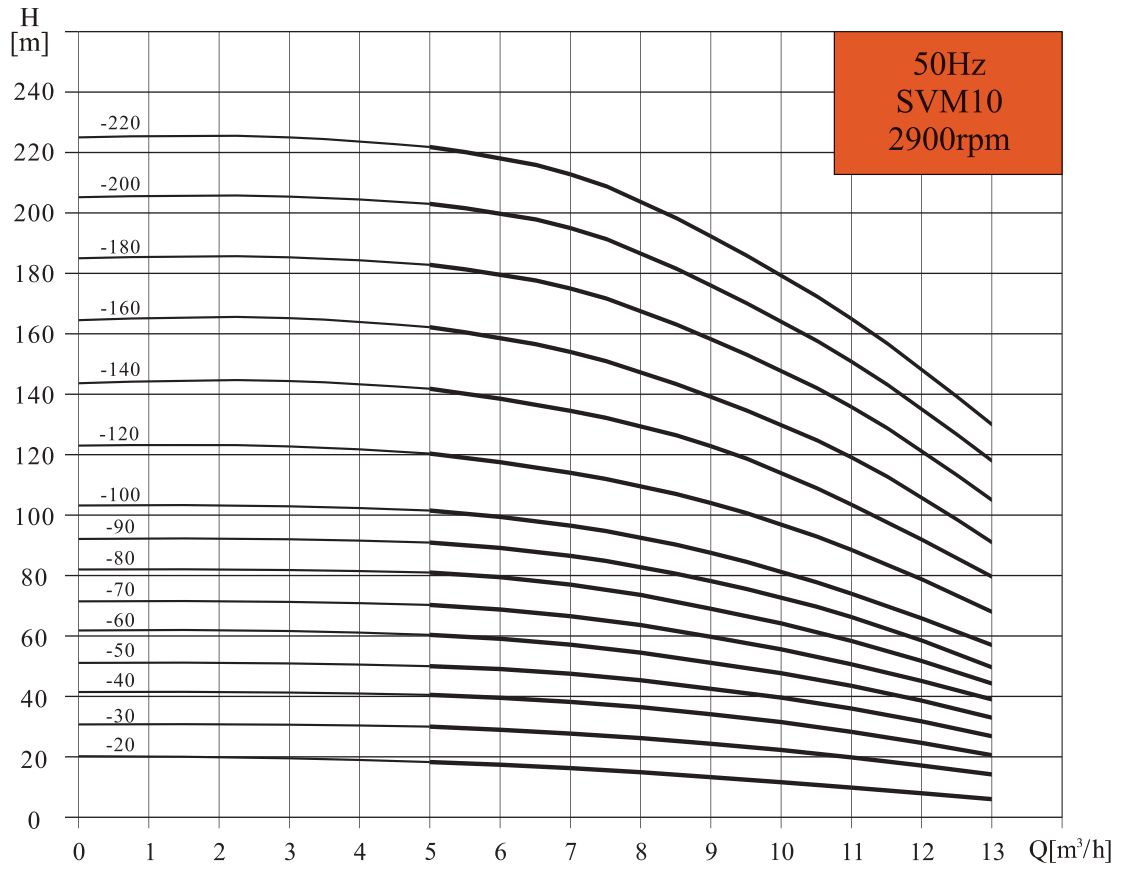
SVM10



Performance table

Model	Associated motor(kW)	Q (m ³ /h)	5	6	7	8	9	10	11	12	13
SVM10-20	0.75	H (m)	18.5	17	16	14	13	12	10	8.5	7
SVM10-30	1.1		30	28.5	27.5	25.5	24.5	22	20	18	14.5
SVM10-40	1.5		40.5	39.5	38.5	36.5	34	31.5	28.5	25.5	21
SVM10-50	2.2		50	49	47.5	45.5	42.5	39.5	36	32	27
SVM10-60	2.2		60	59	57	55	51	47.5	43.5	39	33.5
SVM10-70	3.0		70.5	69	66.5	64	59.5	55.5	50.5	45.5	39
SVM10-80	3.0		81	79	77	74.5	69	64	58.5	53	44.5
SVM10-90	3.0		91	89	86.5	82.5	78	72	66.5	59.5	50
SVM10-100	4.0		101.5	99	96.5	92.5	87.5	81.5	74	67	57
SVM10-120	4.0		120.5	119	114	110	104	97	88.5	80	68
SVM10-140	5.5		142	139	134.5	131	123	114	103.5	93.5	80
SVM10-160	5.5		162	159	154	148.5	139	130	119	107	91
SVM10-180	7.5		183	180	175	167	158	148	136	121	105
SVM10-200	7.5		203	200	195	186	176	165	151	134	118
SVM10-220	7.5	222	219	213	203	192	179	165	149	130	

Performance curves



SVM12

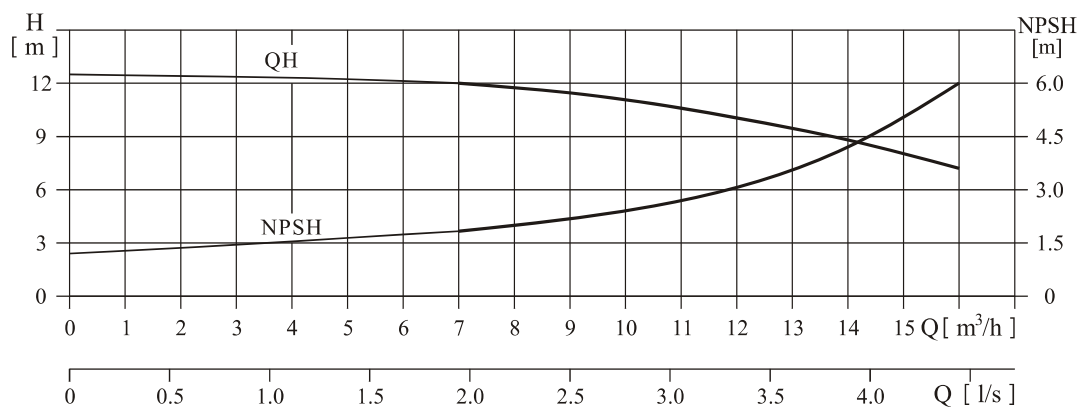
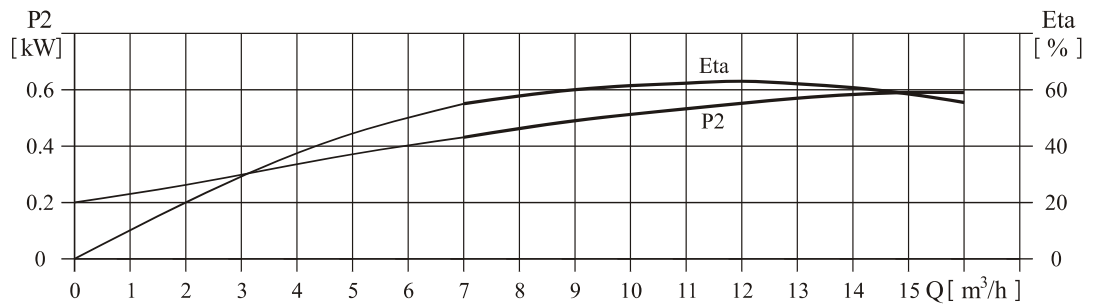
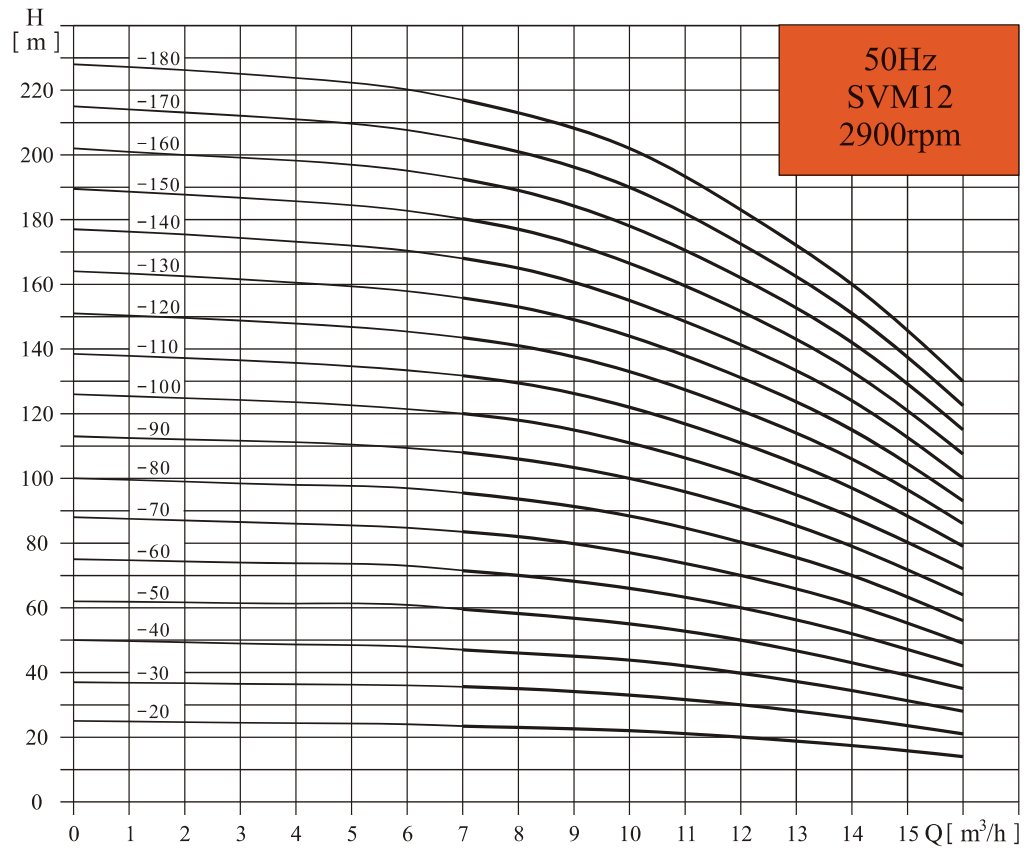
SVM12



Performance table

Model	Associated motor(kW)	Q (m ³ /h)	7	8	9	10	11	12	13	14	15	16
SVM12-20	1.5	H (m)	23.5	23	22.5	22	21	20	18.5	17	15.5	14
SVM12-30	2.2		35.5	35	34	33	31.5	30	28	26	23.5	21
SVM12-40	3		47	46	45	44	42	40	37	34	31	28
SVM12-50	3		59.5	58	56.5	55	52.5	50	46.5	43	39	35
SVM12-60	4		71.5	70	68	66	63	60	56	52	47	42
SVM12-70	5.5		83.5	82	79.5	77	73.5	70	65.5	61	55	49
SVM12-80	5.5		95.5	94	91	88	84	80	75	70	63	56
SVM12-90	5.5		108	106	103	100	95.5	91	85	79	71.5	64
SVM12-100	7.5		120	118	114.5	111	106	101	94.5	88	80	72
SVM12-120	7.5		143.5	141	137	133	127	121	113.5	106	96	86
SVM12-140	9.2		168	165	160	155	148	141	132.5	124	112	100
SVM12-160	11		192.5	189	183.5	178	170	162	152	142	128.5	115
SVM12-180	11		217	213	207.5	202	192.5	183	171.5	160	145	130

Performance curves



SVM15

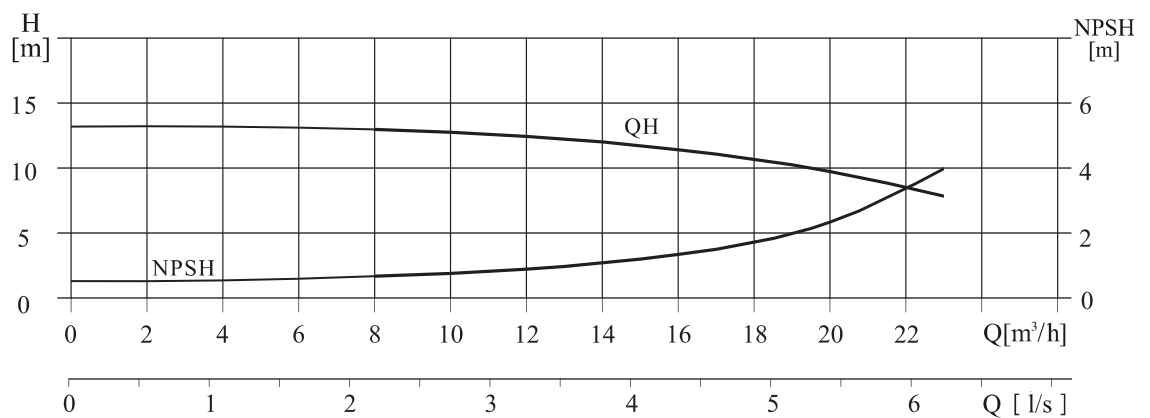
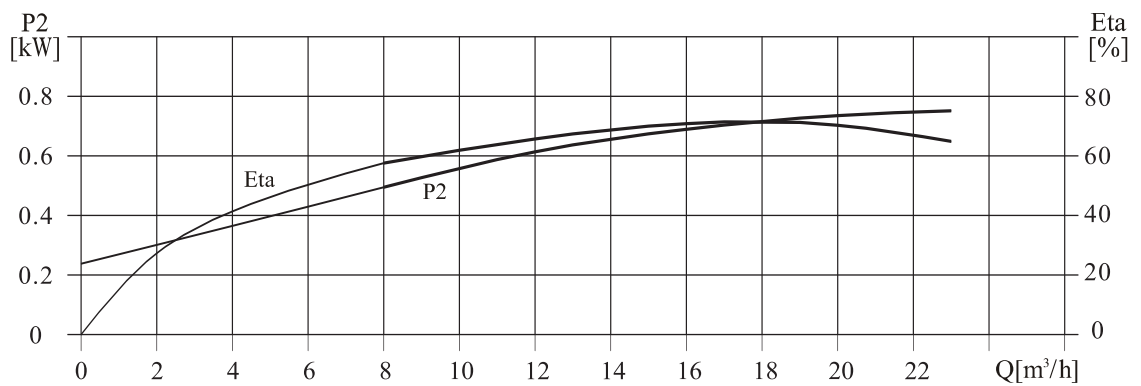
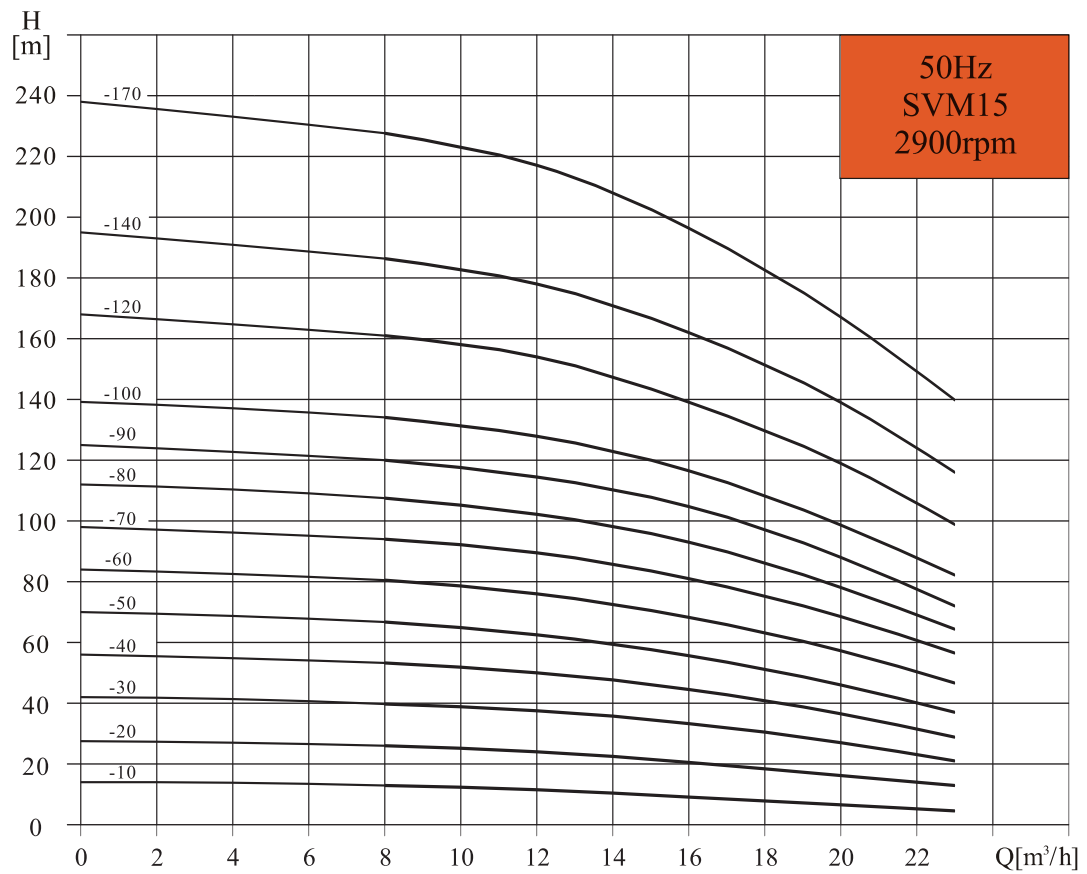
SVM15



Performance table

Model	Associated motor(kW)	Q (m ³ /h)	8	10	12	14	15	16	18	20	23
SVM15-10	1.1	H (m)	13	12	11.5	10.5	10	9	7.5	6	4.5
SVM15-20	2.2		26	25	24	23	22	20.5	18	16	13
SVM15-30	3.0		39.5	38.5	37.5	35.5	34.5	33.5	30.5	27	21
SVM15-40	4.0		53	51.5	50	47.5	46	44.5	41	36.5	29
SVM15-50	4.0		67	64.5	62.5	60	58	55.5	52	46	37
SVM15-60	5.5		80.5	78	76	73	70.5	68	63.5	57	46.5
SVM15-70	5.5		94	92	89.5	86	83.5	81	75.5	68.5	56.5
SVM15-80	7.5		107.5	106	102.5	98.5	96	93	86.5	78	64.5
SVM15-90	7.5		120	118	114.5	110	107	105	97	88	72
SVM15-100	11		134	132	128	123	120	116.5	108.5	98.5	82.5
SVM15-120	11		161	158	154	148	144	139	130	119	99
SVM15-140	11		186	183	178	172	167	162	152	139	116
SVM15-170	15		227	224	217	210	203	196	185	167	140

Performance curves



SVM16

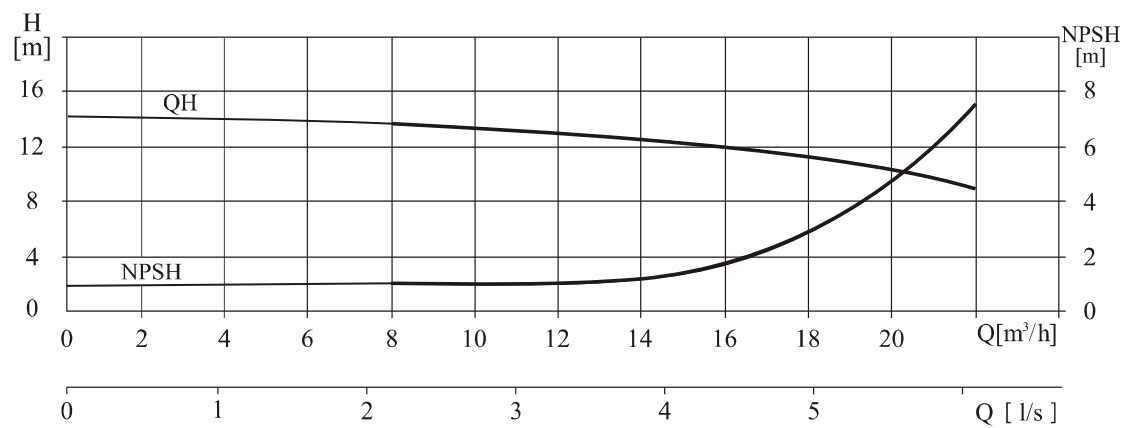
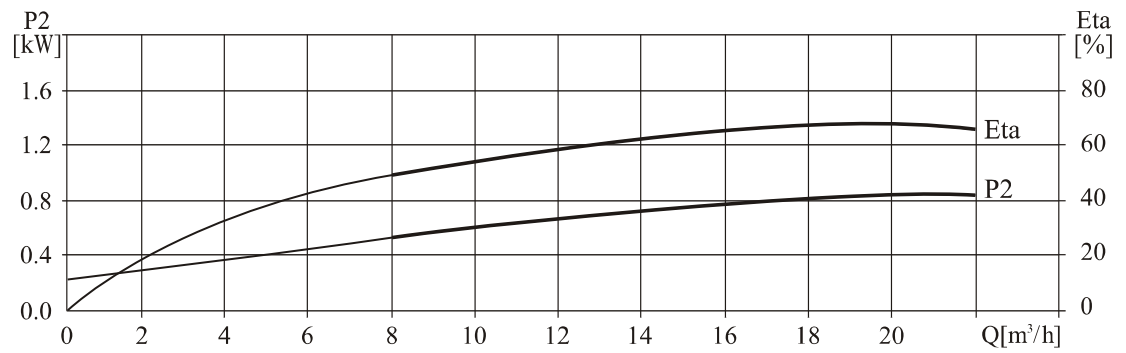
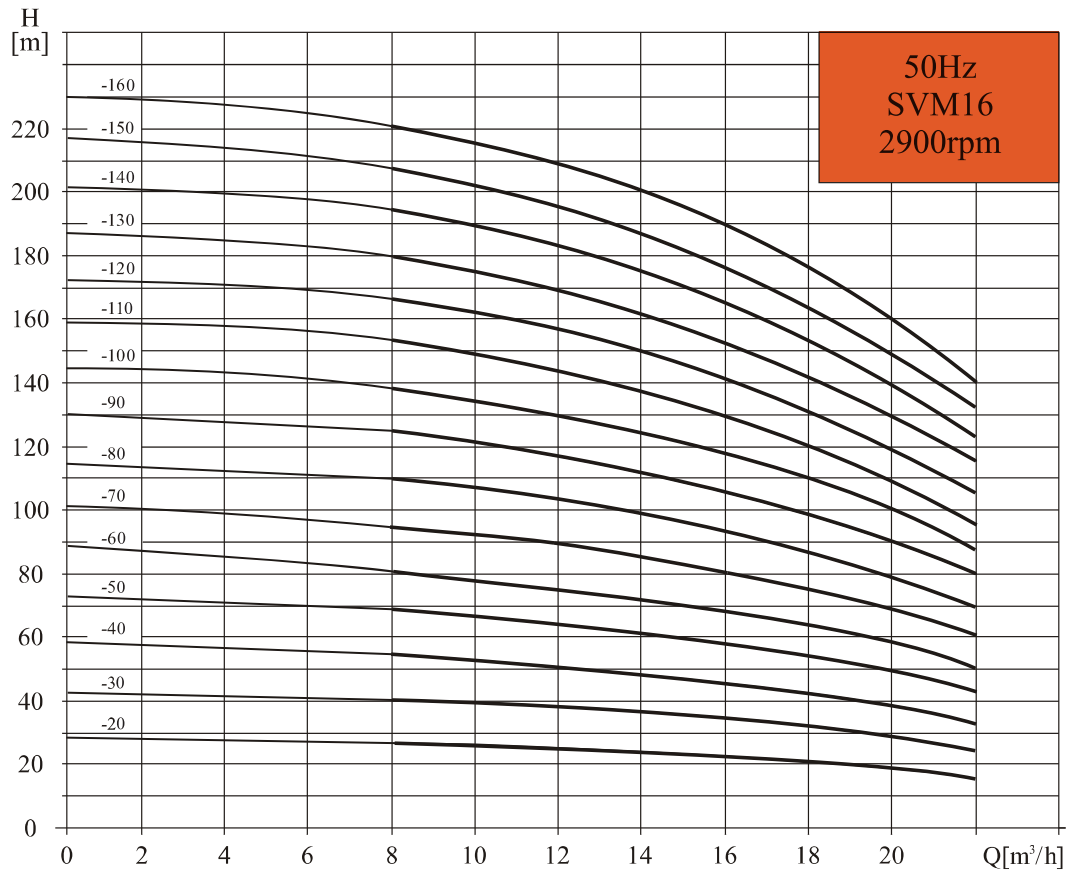
SVM16



Performance table

Model	Associated motor(kW)	Q (m ³ /h)	8	10	12	14	16	18	20	22
SVM16-20	2.2	H (m)	27	26	25	24	22	21	19	16
SVM16-30	3.0		41	40	38	37	34	32	29	25
SVM16-40	4.0		54	53	52	49	46	43	38	34
SVM16-50	5.5		68	67	65	62	58	54	48	43
SVM16-60	5.5		82	80	78	74	70	64	58	52
SVM16-70	7.5		96	95	91	87	82	76	68	61
SVM16-80	7.5		110	108	104	99	94	86	77	70
SVM16-100	9.2		138	136	131	125	118	109	97	87
SVM16-120	11		166	162	157	150	141	130	116	105
SVM16-140	15		194	190	184	175	166	152	136	122
SVM16-160	15		222	217	210	200	189	174	156	140

Performance curves



SVM20

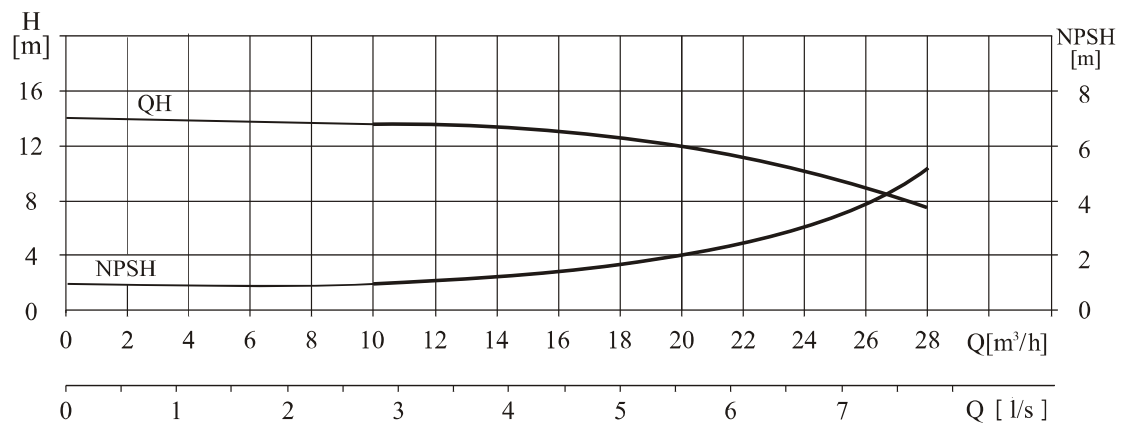
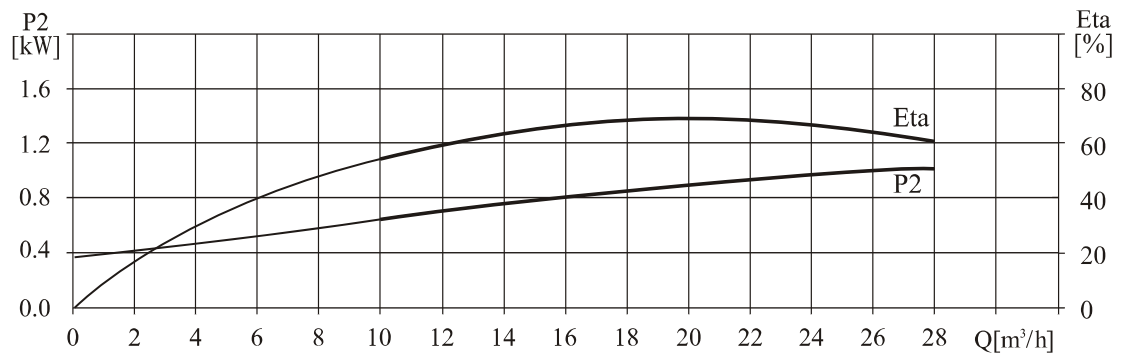
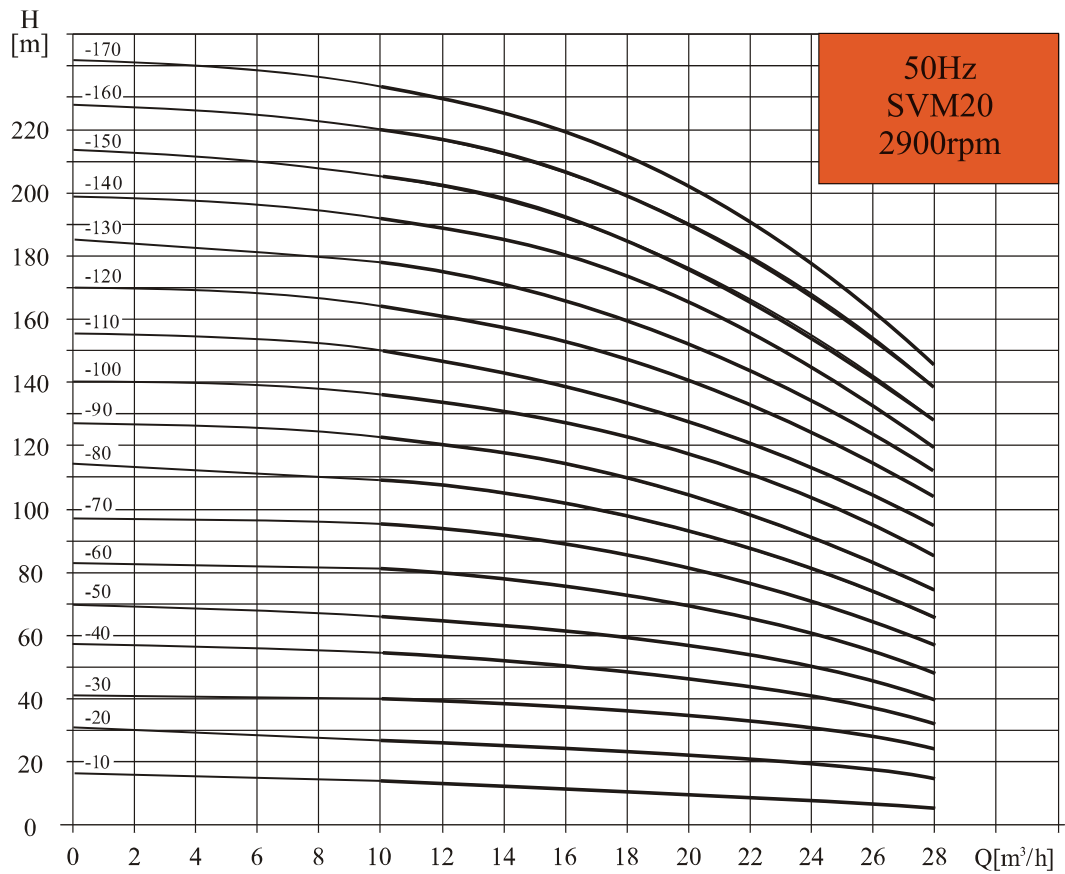
SVM20



Performance table

Model	Associated motor(kW)	Q (m ³ /h)	10	12	14	16	18	20	22	24	26	28
SVM20-10	1.1	H (m)	13.5	13	12.5	12	11	10	9	8	7	6
SVM20-20	2.2		27	26.5	26	25	24	23	22	20	18	15
SVM20-30	4.0		40	39.5	39	38	37	35	33	30	27	24
SVM20-40	5.5		54	53	52	51	49	47	44	41	37	33
SVM20-50	5.5		67	66	64	62	60	58	55	50	45	40
SVM20-60	7.5		81	79	77	75	73	70	66	61	55	49
SVM20-70	7.5		95	93	91	89	86	82	77	71	65	58
SVM20-80	9.2		109	107	105	102	99	94	89	82	75	67
SVM20-100	11		136	134	131	128	124	118	111	103	95	85
SVM20-120	15		164	162	158	154	149	142	133	124	114	102
SVM20-140	15		192	189	185	180	174	166	156	145	133	119
SVM20-170	18.5		234	230	225	219	212	202	190	177	162	145

Performance curves



SVM32



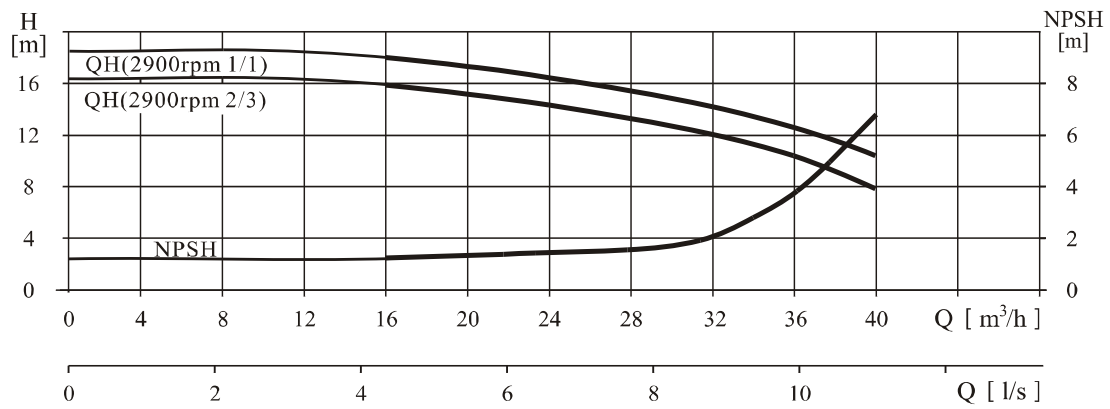
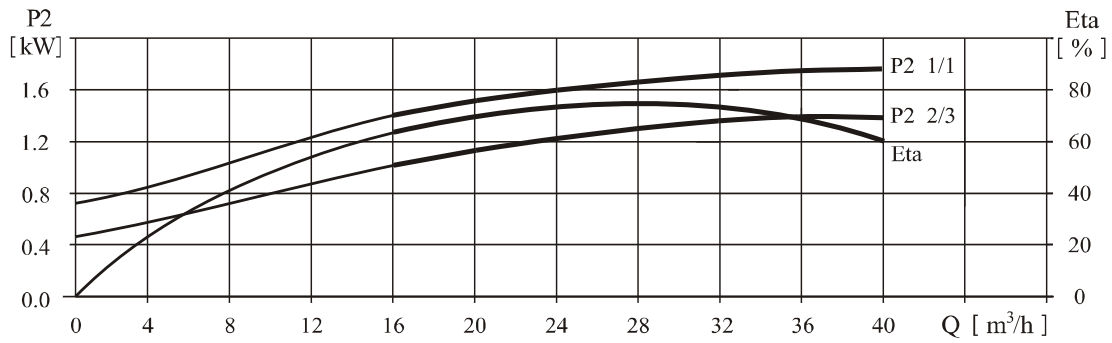
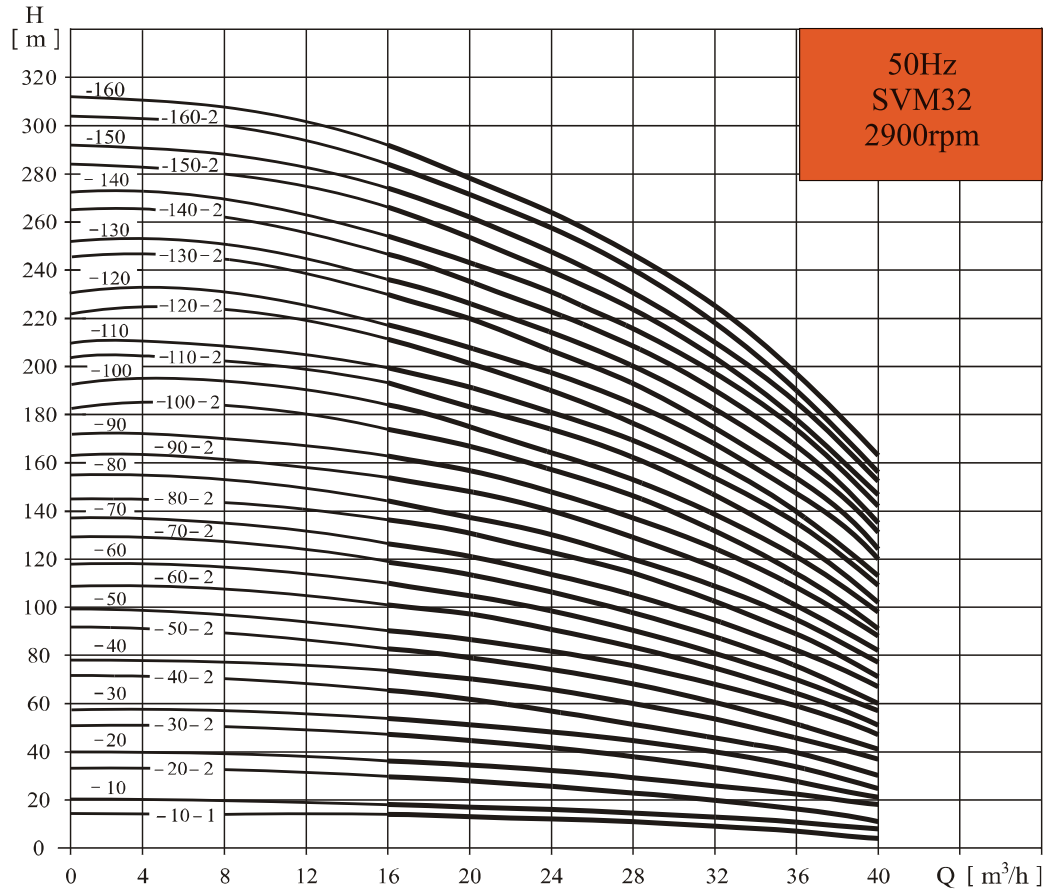
SVM32

Performance table

Model	Associated motor(kW)	Q (m ³ /h)	16	20	24	28	32	36	40
SVM32-10-1	1.5	H (m)	14	13	12	11	9	7	4
SVM32-10	2.2		18	17	15	14	13	11	8
SVM32-20-2	3.0		29	28	26	23	20	16	11
SVM32-20	4.0		36	34	32	29	27	23	18
SVM32-30-2	5.5		47	44	41	38	33	28	21
SVM32-30	5.5		54	51	48	44	40	35	27
SVM32-40-2	7.5		65	62	58	53	46	40	30
SVM32-40	7.5		72	69	65	59	53	47	37
SVM32-50-2	9.2		83	79	74	68	60	52	41
SVM32-50	9.2		90	86	81	74	67	59	47
SVM32-60-2	11		101	97	90	83	74	65	51
SVM32-60	11		108	104	97	90	81	72	57
SVM32-70-2	15		119	114	107	98	88	78	60
SVM32-70	15		126	121	113	105	95	85	67
SVM32-80-2	15		136	131	123	114	102	90	71
SVM32-80	15		144	138	130	120	109	97	77

Model	Associated motor(kW)	Q (m ³ /h)	16	20	24	28	32	36	40
SVM32-90-2	18.5	H (m)	154	148	140	129	117	102	82
SVM32-90	18.5		162	156	147	136	124	109	88
SVM32-100-2	18.5		175	166	157	146	131	115	91
SVM32-100	18.5		182	173	164	152	138	122	98
SVM32-110-2	22		193	184	173	164	146	128	102
SVM32-110	22		200	191	180	168	153	135	109
SVM32-120-2	22		211	201	189	178	160	140	113
SVM32-120	22		218	208	196	184	167	147	120
SVM32-130-2	26		230	218	206	193	174	153	124
SVM32-130	26		237	225	213	200	181	160	131
SVM32-140-2	26		247	235	222	210	189	165	135
SVM32-140	30		255	242	229	216	196	172	142
SVM32-150-2	30		266	253	239	224	203	178	145
SVM32-150	30		274	260	246	231	210	185	152
SVM32-160-2	30		284	270	255	240	218	190	156
SVM32-160	30		292	277	262	246	225	197	163

Performance curves



SVM45

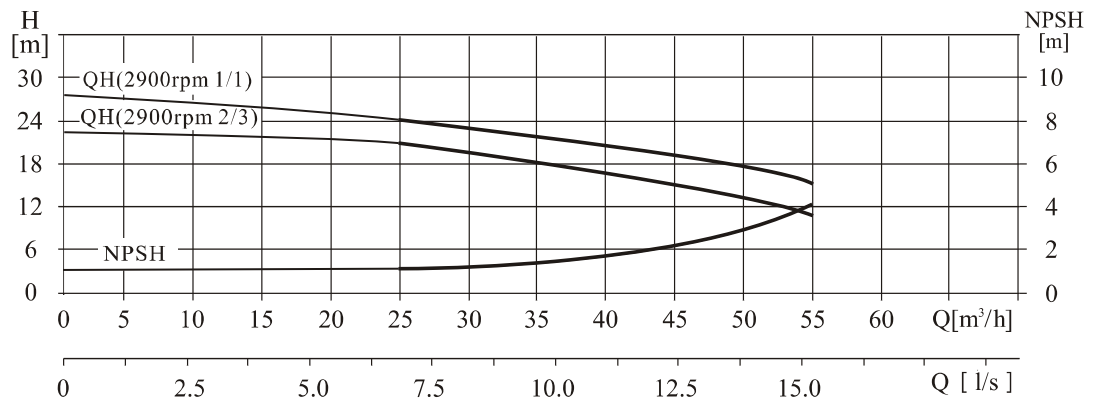
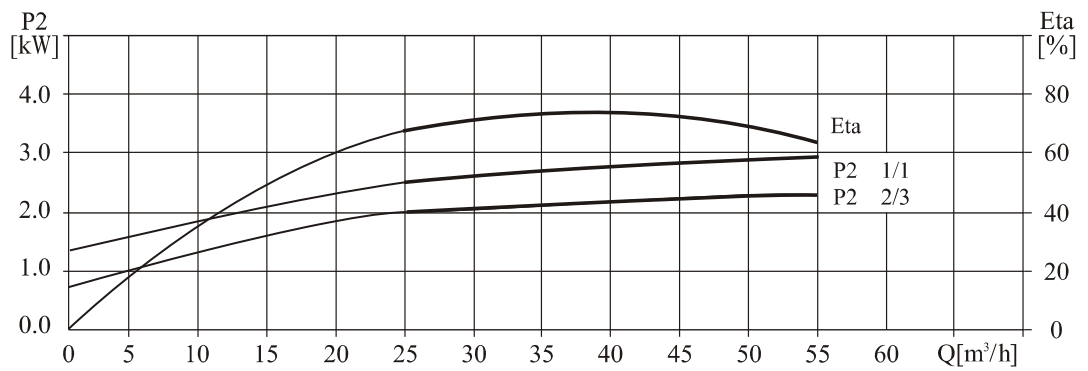
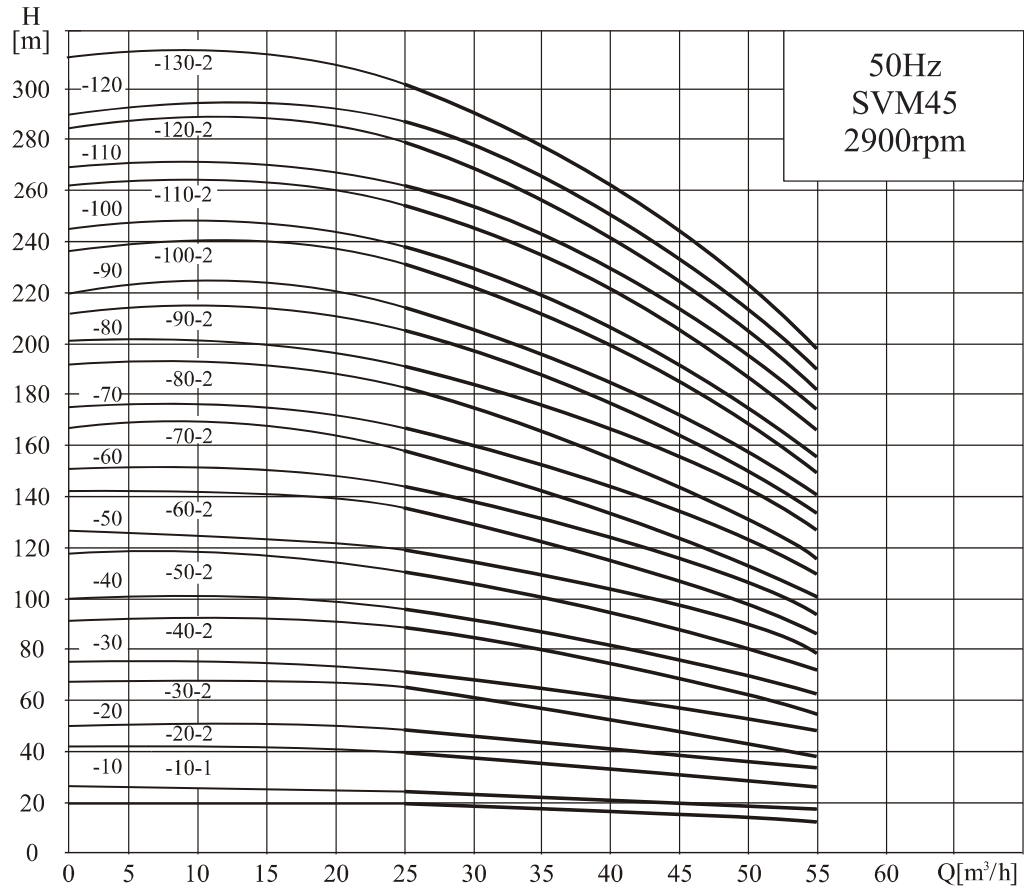


SVM45

Performance table

Model	Associated motor(kW)	Q (m ³ /h)	25	30	35	40	45	50	55
SVM45-10-1	3.0	H (m)	20	19	18	17	15	13	11
SVM45-10	4.0		24	23	22	21	19	18	16
SVM45-20-2	5.5		40	38	36	33	30	27	23
SVM45-20	7.5		48	46	44	42	39	35	31
SVM45-30-2	9.2		63	61	58	54	50	44	38
SVM45-30	11		71	69	66	63	58	53	47
SVM45-40-2	15		87	84	80	75	69	62	54
SVM45-40	15		95	92	88	84	78	71	62
SVM45-50-2	18.5		111	107	102	96	88	80	69
SVM45-50	18.5		119	115	110	105	97	88	78
SVM45-60-2	22		135	130	124	117	108	97	85
SVM45-60	22		143	138	132	125	116	106	93
SVM45-70-2	26		158	152	146	138	127	115	100
SVM45-70	26		166	161	154	146	135	124	109
SVM45-80-2	30		182	175	168	159	146	133	116
SVM45-80	30		190	184	176	167	154	141	124
SVM45-90-2	30		205	198	190	180	166	150	132
SVM45-90	37		214	207	198	188	174	159	140
SVM45-100-2	37		230	221	212	200	185	168	147
SVM45-100	37		238	230	220	209	193	177	155
SVM45-110-2	45	255	246	236	223	206	188	165	
SVM45-110	45	263	255	244	232	214	196	173	
SVM45-120-2	45	280	270	259	245	226	206	181	
SVM45-120	45	289	280	268	255	236	216	190	
SVM45-130-2	45	305	294	282	267	247	225	198	

Performance curves



SVM64

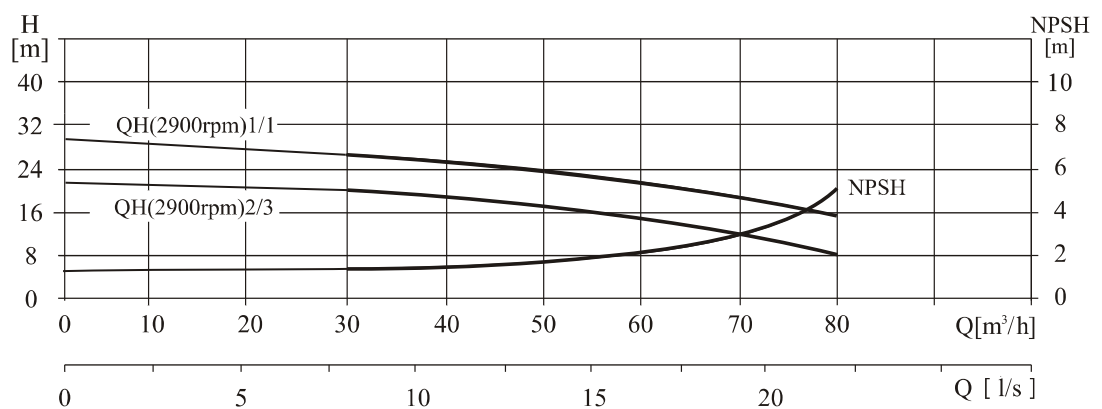
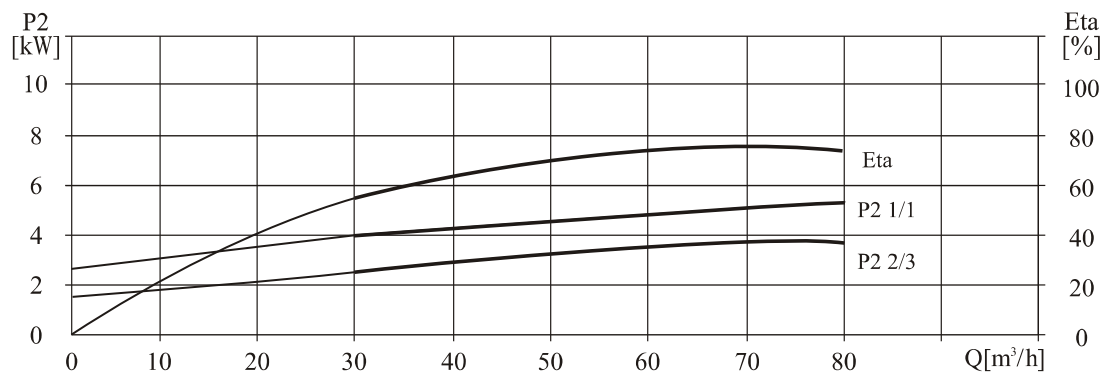
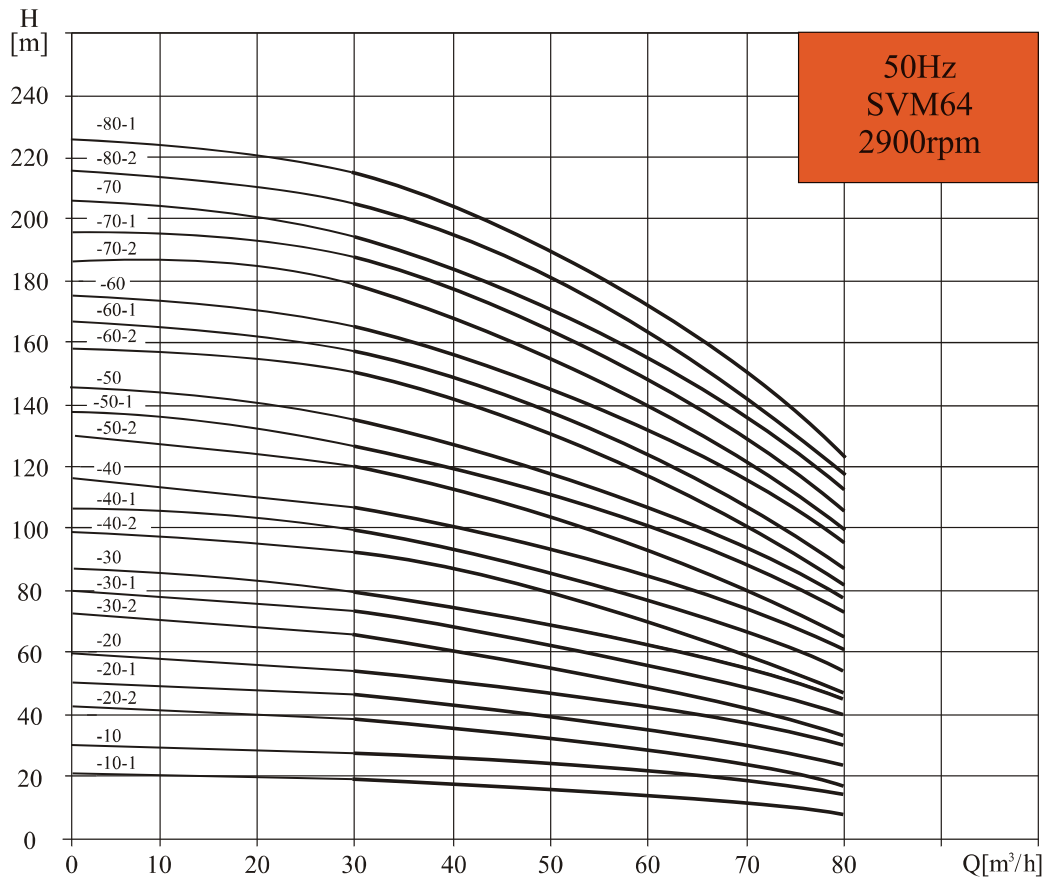
SVM64



Performance table

Model	Associated motor(kW)	Q (m ³ /h)	30	40	50	60	64	70	80
SVM64-10-1	4.0	H (m)	19	18	16	14	13	11	8
SVM64-10	5.5		27	25	23	21	20	18	15
SVM64-20-2	7.5		39	36	33	29	27	23	17
SVM64-20-1	11		46	44	40	36	34	30	24
SVM64-20	11		53	51	47	43	41	37	30
SVM64-30-2	15		66	62	56	50	47	41	32
SVM64-30-1	15		73	69	63	57	54	48	39
SVM64-30	18.5		80	76	70	64	61	55	46
SVM64-40-2	18.5		92	87	80	71	67	60	47
SVM64-40-1	22		100	94	87	78	74	67	54
SVM64-40	22		107	101	94	85	81	74	61
SVM64-50-2	26		121	114	105	95	89	80	64
SVM64-50-1	26		128	121	112	102	96	87	71
SVM64-50	30		136	129	119	109	103	94	78
SVM64-60-2	30		150	142	131	118	111	101	81
SVM64-60-1	37		157	149	138	125	118	108	88
SVM64-60	37		164	156	145	132	125	115	95
SVM64-70-2	37		179	169	156	141	133	121	99
SVM64-70-1	37		186	176	163	148	141	128	106
SVM64-70	45		193	183	170	155	148	135	112
SVM64-80-2	45	207	196	182	164	156	142	116	
SVM64-80-1	45	215	203	189	171	163	149	123	

Performance curves



SVM90

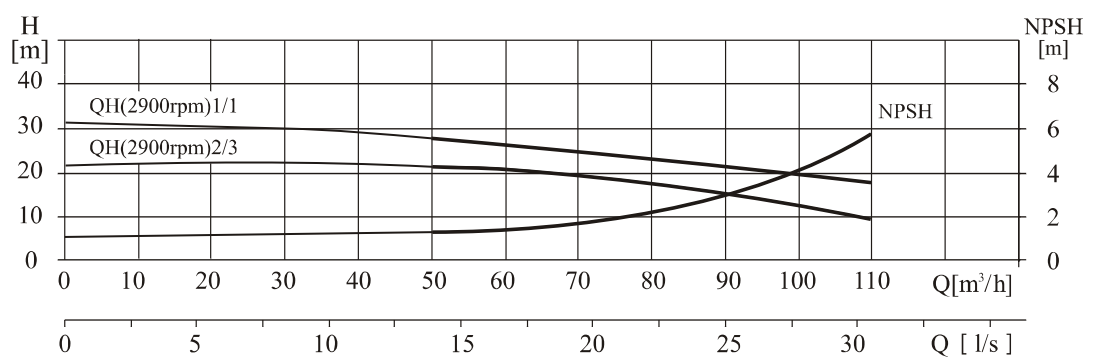
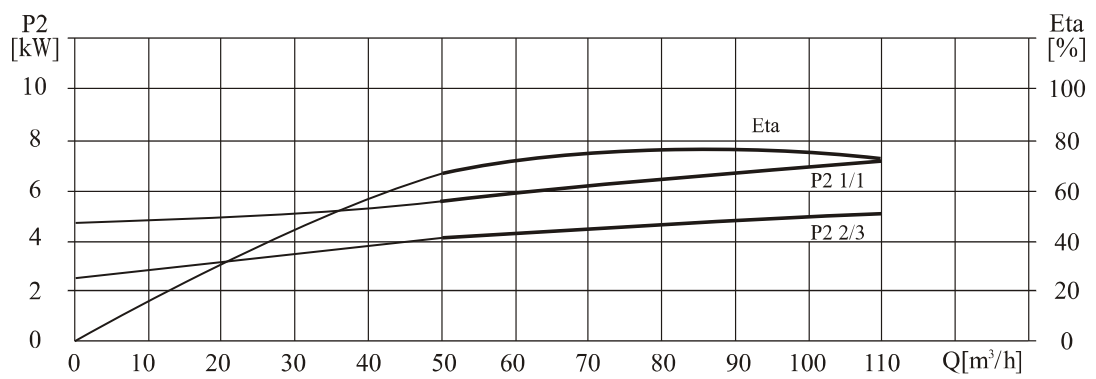
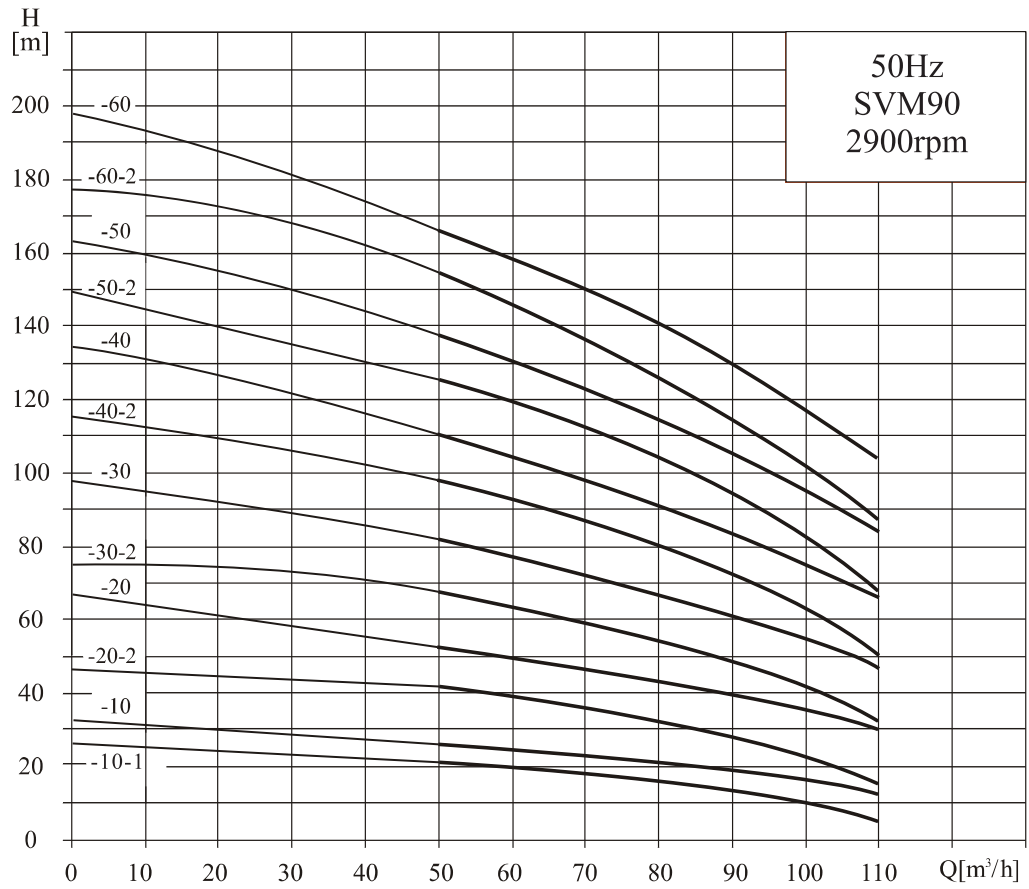


SVM90

Performance table

Model	Associated motor(kW)	Q (m ³ /h)	50	60	70	80	90	100	110
SVM90-10-1	5.5	H (m)	22	19	17	16	13	10	6
SVM90-10	7.5		25	24	22	21	19	16	12
SVM90-20-2	11		41	39	36	32	28	22	15
SVM90-20	15		53	50	47	44	40	36	30
SVM90-30-2	18.5		68	65	60	55	49	41	32
SVM90-30	22		81	77	72	67	62	55	48
SVM90-40-2	26		98	93	87	80	72	62	50
SVM90-40	30		110	105	100	92	84	76	66
SVM90-50-2	37		126	120	113	104	93	81	68
SVM90-50	37		139	131	124	115	106	94	83
SVM90-60-2	45		155	148	139	129	117	102	86
SVM90-60	45		168	160	150	141	130	117	103

Performance curves



SVM120

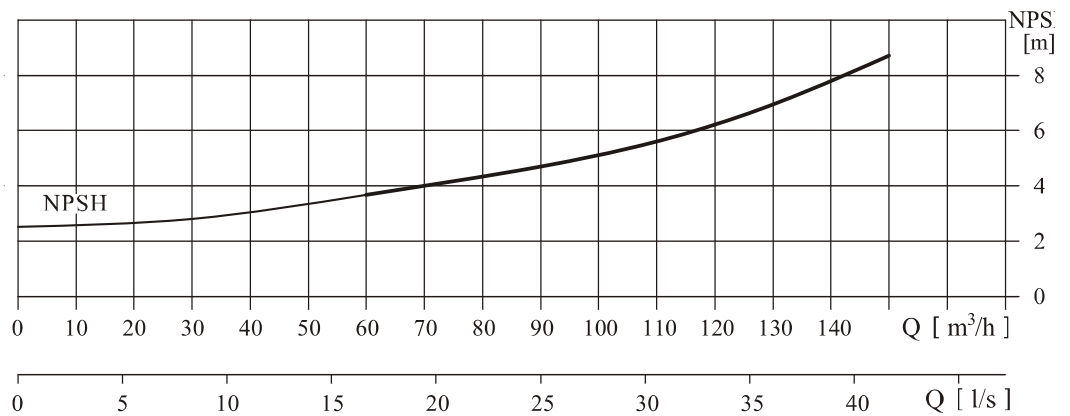
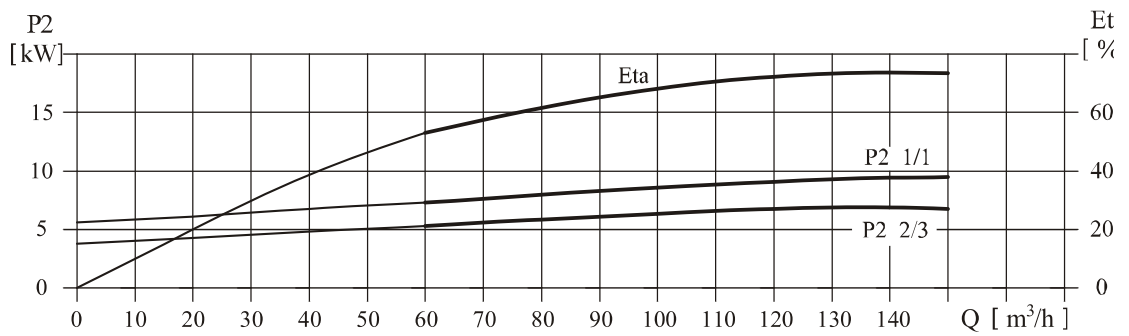
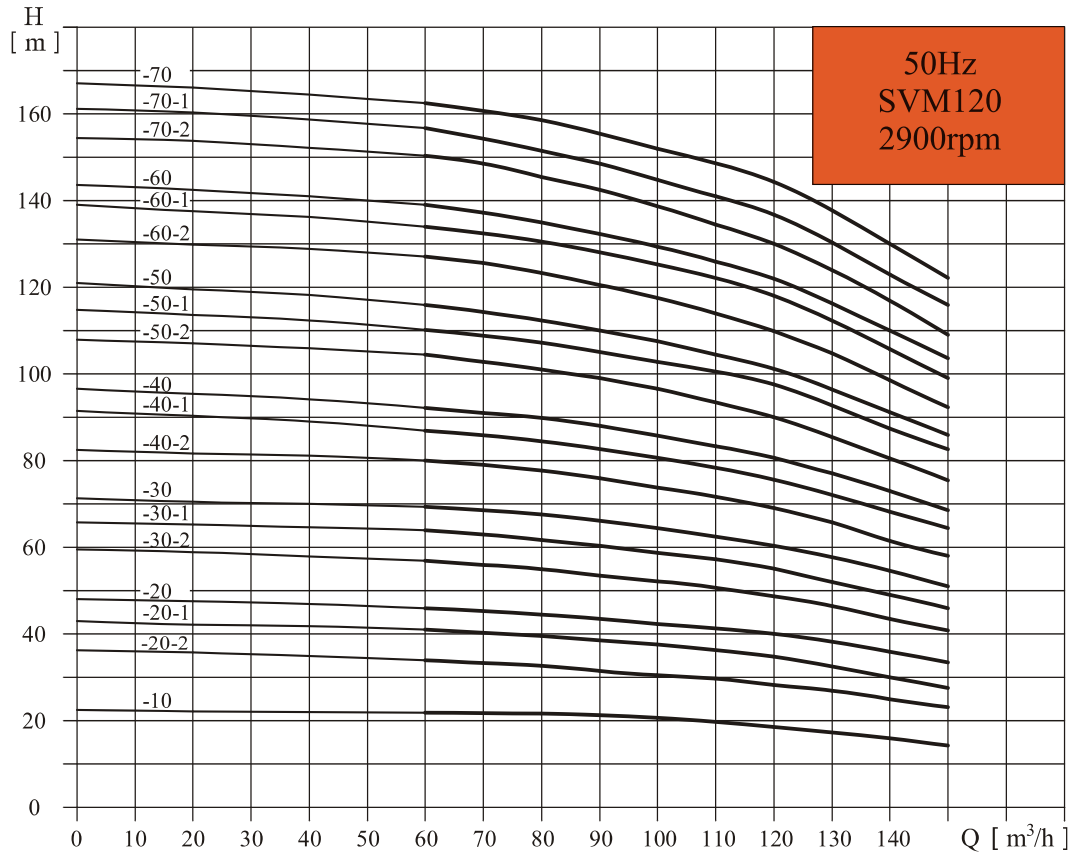
SVM120



Performance table

Model	Associated motor(kW)	Q (m ³ /h)	60	70	80	90	100	110	120	130	140	150
SVM120-10	11	H (m)	22	21.8	21.6	21	20.5	19.5	18.5	17	16	15
SVM120-20-2	15		34	33.6	33	31	30.2	30	28.5	27	25	24
SVM120-20-1	18.5		41	40	39.5	38.5	37	36.5	34.5	32.5	30	27.5
SVM120-20	22		46	45	44.5	43.5	42.4	41	40	38	36	33.5
SVM120-30-2	26		57	56	55	53.5	52	51	49	46.5	43.5	41
SVM120-30-1	30		64	63	62	60	58.5	57.5	55.5	52	49	46
SVM120-30	30		69.5	68.5	67.5	66	64.4	62.5	61	57.5	54.5	51
SVM120-40-2	37		80.5	79	78	76	73.5	72	69	66	61.5	58
SVM120-40-1	37		87	86	84.5	82	80	78	76	72	68	64.5
SVM120-40	45		92.5	91	90	88	85.5	83	81	77	73	68.5
SVM120-50-2	45		104.5	103	101	99	96	93	90	85.5	80.5	75.5
SVM120-50-1	45		110.5	109	107.5	105	102	100	97	92	86.5	83
SVM120-50	55		115.5	114	113	110	107.5	104.5	101.5	96	91	86
SVM120-60-2	55		128	125.5	123	121	117.3	113.5	110	104.5	98.5	92.5
SVM120-60-1	55		134	132	130.5	127	124	121	118	111	105	100
SVM120-60	75		139	137	135	132	128.8	126	123	116	110	104
SVM120-70-2	75		151	148	145.5	143	138.6	134	130	123.5	116.5	109
SVM120-70-1	75		156.5	154	152	148.5	144.5	141	137.5	130	123	116.5
SVM120-70	75		162.5	160.5	158.5	155	151	148	145	137	129	123

SVM120



SVM150

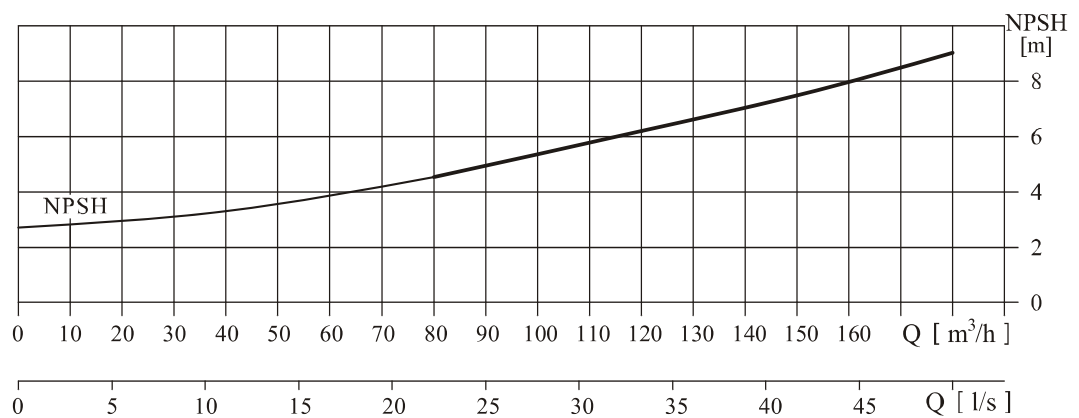
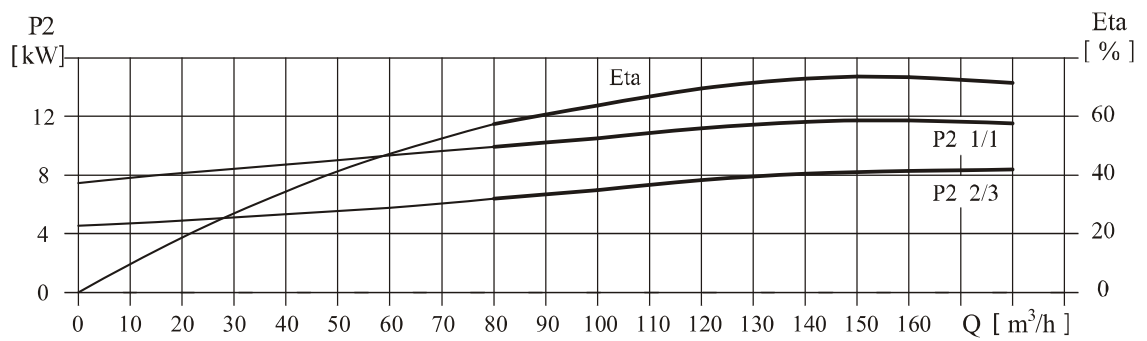
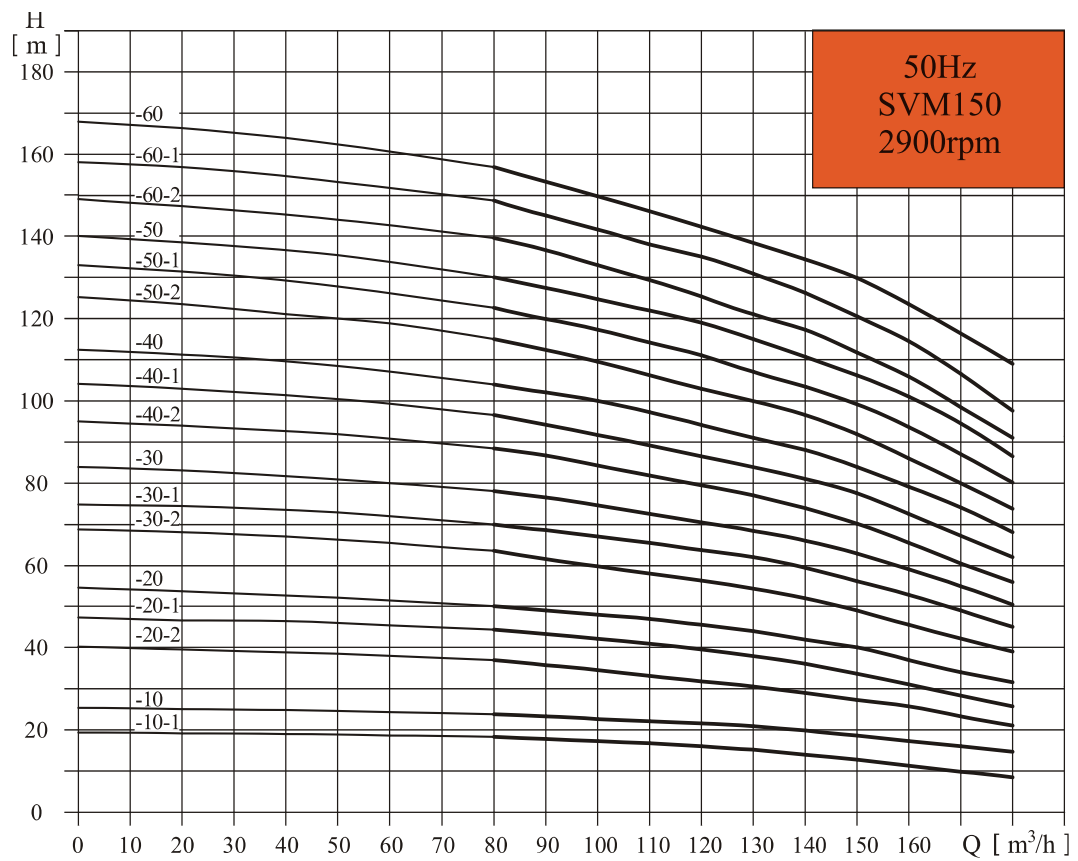


SVM150

Performance table

Model	Associated motor(kW)	Q (m ³ /h)	80	90	100	110	120	130	140	150	160	170	180
SVM150-10-1	11	H (m)	18.3	17.8	17.3	17	16	15	14	12.5	11	10	8.5
SVM150-10	15		24	23	22.5	22	21.5	20.5	20	18.5	17	16	15
SVM150-20-2	18.5		37	35.5	34	33	32	31	29	27.5	26	23	21
SVM150-20-1	22		44.3	43	42	40	39	38.5	37.5	35	33	30	27
SVM150-20	26		50	49	48	47	45.5	44	42	40	37	34	32
SVM150-30-2	30		63.5	61	59	57.5	56	54.5	53	49	45.5	42	39
SVM150-30-1	37		70	68	67	65	63	62	60	56	53	49	45
SVM150-30	37		78	76.5	75	73	70.5	68	66	63	59	55	50.5
SVM150-40-2	45		89	87	84	81.5	79	77	74.5	70.5	65.5	60	56
SVM150-40-1	45		96.5	94	91.5	89	86.5	84	81.5	77	72.5	67	62
SVM150-40	55		104	102	100	97	95	91	88	84	79.5	74	68
SVM150-50-2	55		115.5	112	109	106	102.5	100	97	92	86	79	73.5
SVM150-50-1	75		122.5	119.5	117	113.5	111.5	107.5	104.5	99	93.5	87	80
SVM150-50	75		130	127.5	125	121	119	115	111.5	106.5	101	94.5	86.5
SVM150-60-2	75		140	137	133	130	126	121	118	112	106	98	91
SVM150-60-1	75		148.5	145	141.7	137.5	135	131	127	120.5	114.5	106.5	97.5
SVM150-60	75		157	153	149	145	142	139.5	137	130	123.5	116	109

SVM150



SVM200

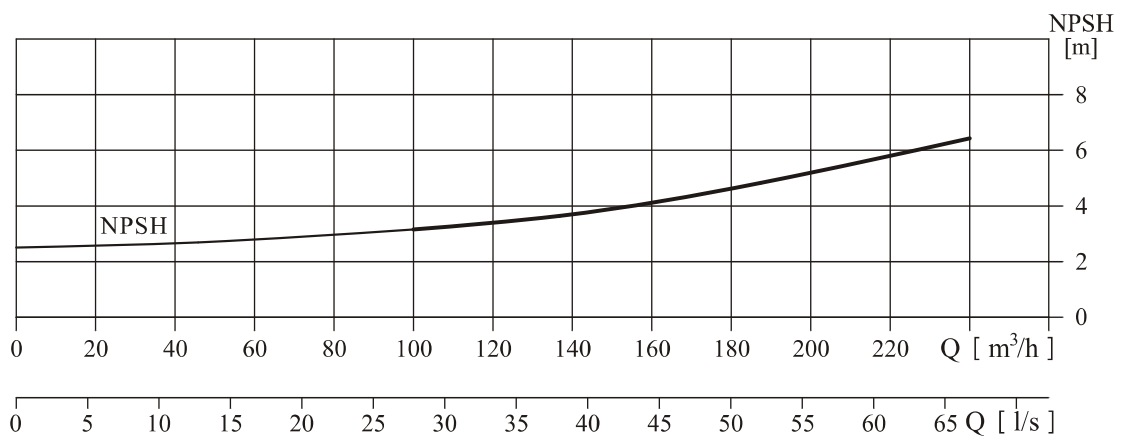
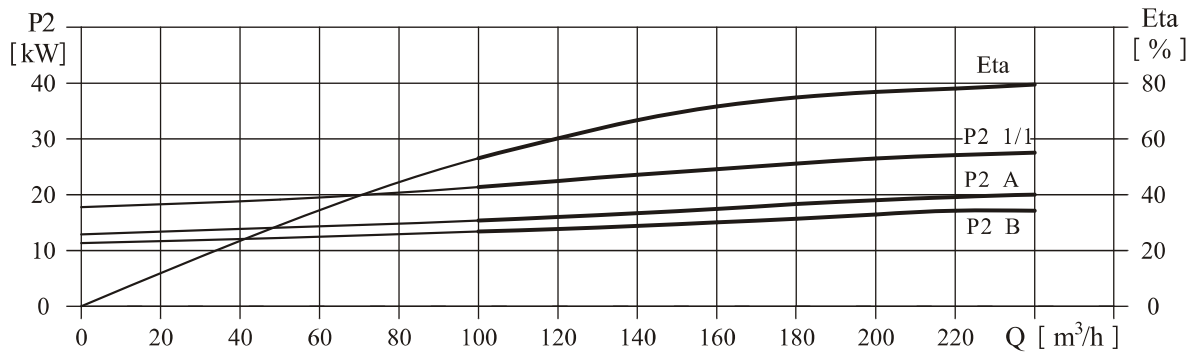
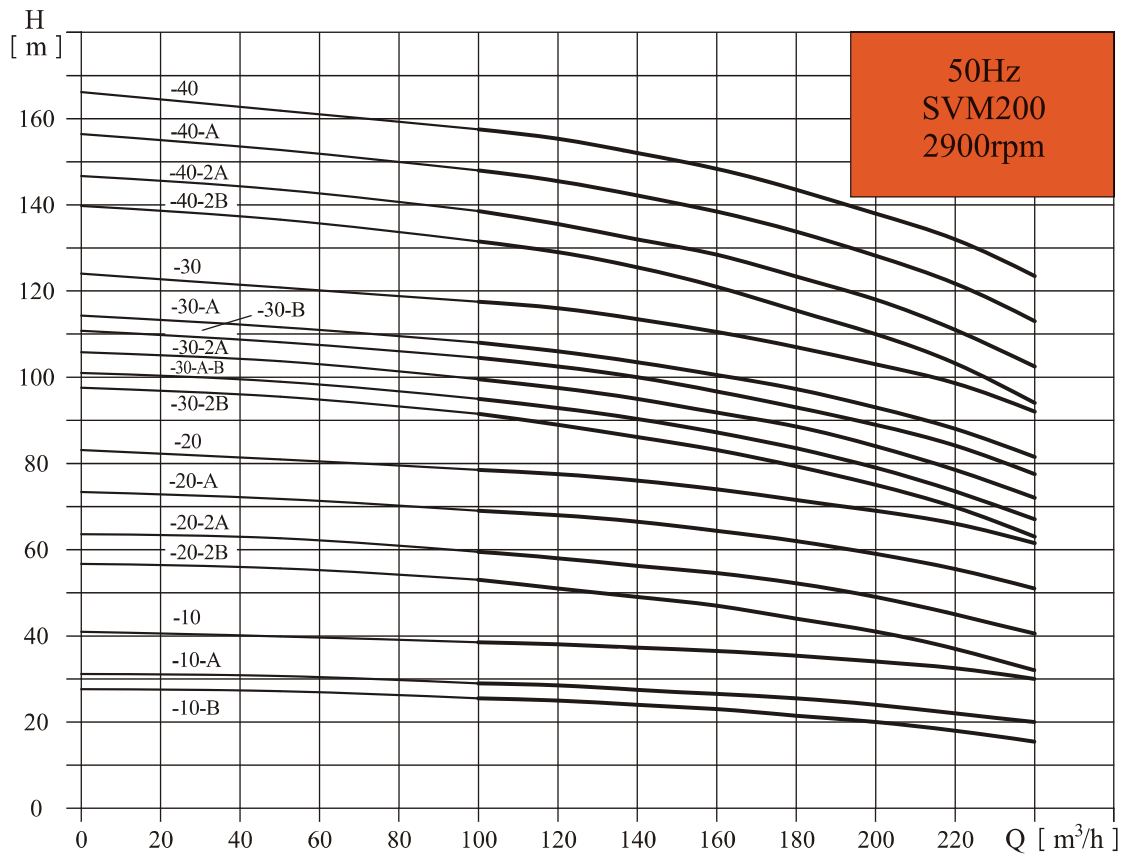
SVM200



Performance table

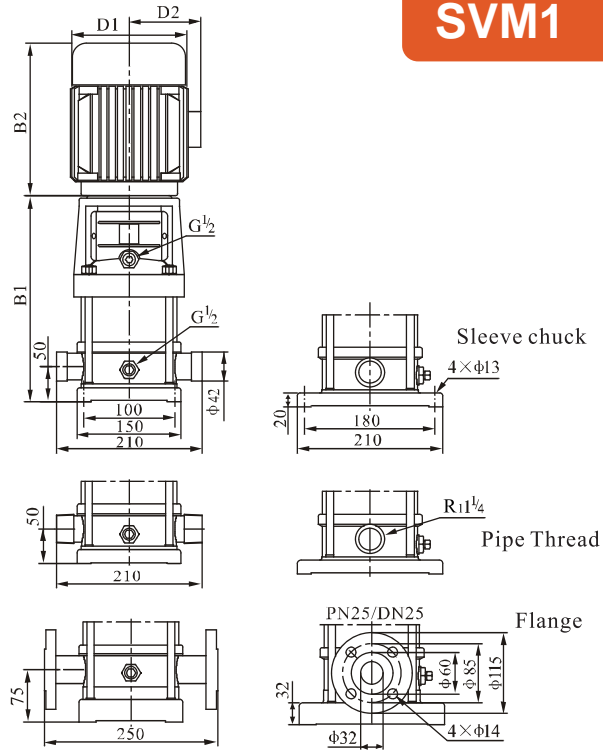
Model	Associated motor(kW)	Q (m ³ /h)	100	120	140	160	180	200	220	240
SVM200-10-B	18.5	H (m)	25.5	25	24	23	21.5	20	18	15.5
SVM200-10-A	22		29	28.5	27.5	26.5	25.5	24	22	20
SVM200-10	30		38.5	38	37.5	36.5	35	34	32.5	30
SVM200-20-2B	37		53	51	49	47	44	41	37	32
SVM200-20-2A	45		59.5	58	56	54	52.5	49	44.5	40.5
SVM200-20-A	55		69	68	66	64	62	59	55.5	51
SVM200-20	55		78.5	77.5	76	74	71.5	69	66	61.5
SVM200-30-2B	75		91.5	89	86.5	83.5	79	75	70	63
SVM200-30-A-B	75		95	93	90	87	83.5	79	73.5	67
SVM200-30-2A	75		99.5	97.5	94.5	91.5	89	84	78.5	72
SVM200-30-B	75		104.5	102.5	100	97	93	89	84.5	77.5
SVM200-30-A	75		108	106	103.5	100.5	97.5	93	88	81.5
SVM200-30	90		117.5	116	113.5	110.5	107	103	99	92
SVM200-40-2B	90		131.5	129	125.5	121	115.5	110	103.5	94
SVM200-40-2A	110		138.5	136	132	128	124	118	111	102.5
SVM200-40-A	110		148	145.5	142.5	138	134	128	122	113
SVM200-40	110		157.5	155.5	152.5	148	143.5	138	132.5	123.5

SVM200



Size & Weight

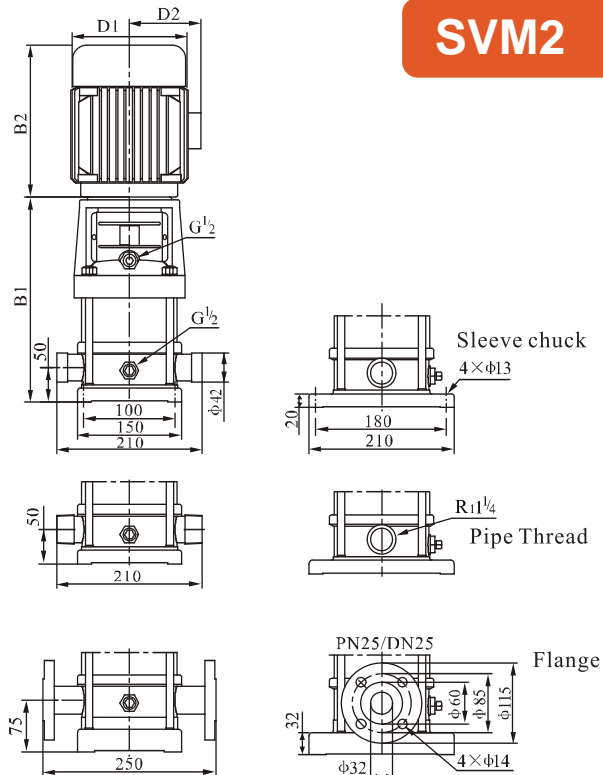
Installation drawing



Size & Weight

SVM1

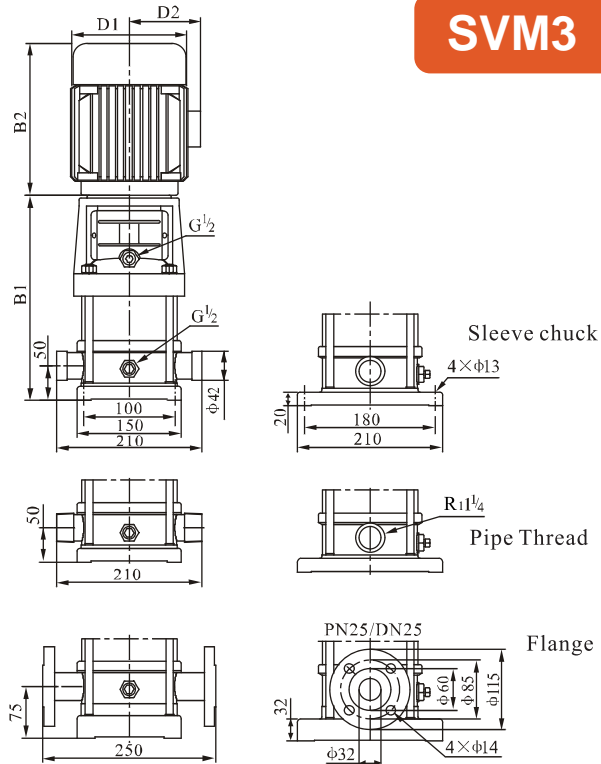
Model	Size (mm)					Weight (kg)
	B1	B2	B1+B2	D1	D2	
SVM1-20	258	225	483	148	117	20
SVM1-30	276	225	501	148	117	20
SVM1-40	294	225	519	148	117	21
SVM1-50	312	225	537	148	117	21
SVM1-60	330	225	555	148	117	22
SVM1-70	348	225	573	148	117	23
SVM1-80	366	225	591	148	117	24
SVM1-90	384	225	609	148	117	25
SVM1-100	402	225	627	148	117	26
SVM1-110	420	225	645	148	117	26
SVM1-120	448	245	693	170	142	29
SVM1-130	466	245	711	170	142	30
SVM1-150	502	245	747	170	142	31
SVM1-170	538	245	783	170	142	33
SVM1-190	574	245	819	170	142	34
SVM1-210	610	245	855	170	142	35
SVM1-230	646	245	891	170	142	36
SVM1-250	692	290	982	190	155	42
SVM1-270	728	290	1018	190	155	43
SVM1-300	782	290	1072	190	155	45
SVM1-330	836	290	1126	190	155	49
SVM1-360	890	290	1180	190	155	51



SVM2

Model	Size(mm)					Weight (kg)
	B1	B2	B1+B2	D1	D2	
SVM2-20	258	225	483	148	117	20
SVM2-30	276	225	501	148	117	20
SVM2-40	294	225	519	148	117	22
SVM2-50	312	225	537	148	117	23
SVM2-60	340	245	585	170	142	26
SVM2-70	358	245	603	170	142	26
SVM2-90	394	245	639	170	142	28
SVM2-110	430	245	675	170	142	29
SVM2-130	476	290	766	190	155	35
SVM2-150	512	290	802	190	155	36
SVM2-180	566	290	856	190	155	41
SVM2-220	638	290	928	190	155	42
SVM2-260	720	345	1065	197	165	52

Installation drawing

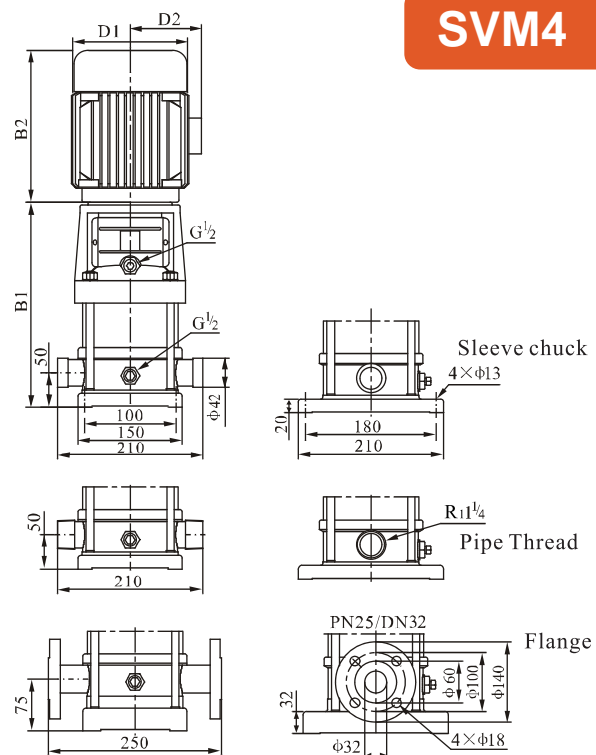


Size & Weight

SVM3

Model	Size(mm)					Weight (kg)
	B1	B2	B1+B2	D1	D2	
SVM3-20	258	225	483	148	117	20
SVM3-30	276	225	501	148	117	20
SVM3-40	294	225	519	148	117	21
SVM3-50	312	225	537	148	117	21
SVM3-60	330	225	555	148	117	23
SVM3-70	348	225	573	148	117	24
SVM3-80	376	245	621	170	142	27
SVM3-90	394	245	639	170	142	28
SVM3-100	412	245	657	170	142	28
SVM3-110	430	245	675	170	142	29
SVM3-120	448	245	693	170	142	30
SVM3-130	466	245	711	170	142	31
SVM3-150	502	245	747	170	142	32
SVM3-170	548	290	838	190	155	38
SVM3-190	584	290	874	190	155	39
SVM3-210	620	290	910	190	155	42
SVM3-230	656	290	946	190	155	43
SVM3-250	692	290	982	190	155	44
SVM3-270	728	290	1018	190	155	45
SVM3-290	764	290	1054	190	155	46
SVM3-310	810	345	1155	197	165	54
SVM3-330	846	345	1191	197	165	55
SVM3-360	900	345	1245	197	165	57

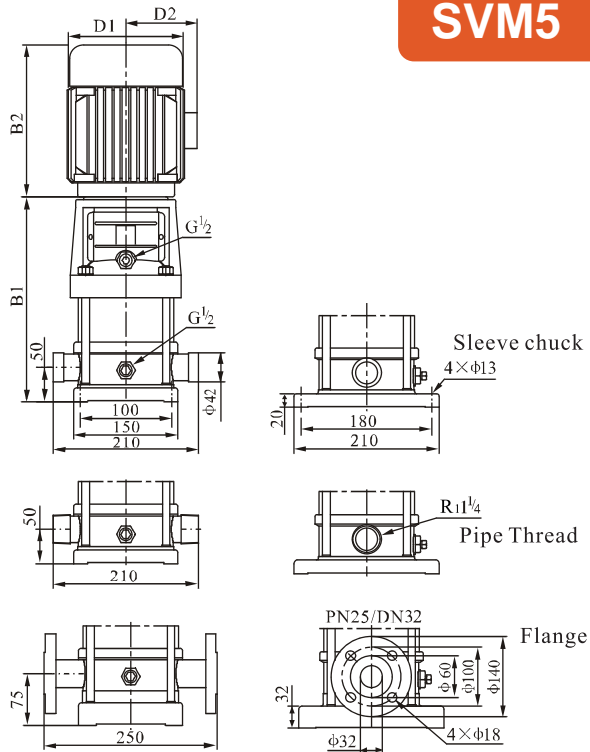
SVM4



Model	Size(mm)					Weight (kg)
	B1	B2	B1+B2	D1	D2	
SVM4-20	276	225	501	148	117	21
SVM4-30	303	225	528	148	117	22
SVM4-40	340	245	585	170	142	25
SVM4-50	367	245	612	170	142	27
SVM4-60	394	245	639	170	142	27
SVM4-70	431	290	721	190	155	33
SVM4-80	458	290	748	190	155	33
SVM4-100	512	290	802	190	155	37
SVM4-120	566	290	856	190	155	38
SVM4-140	630	345	975	197	165	46
SVM4-160	684	345	1029	197	165	48
SVM4-190	765	355	1120	230	188	57
SVM4-220	846	355	1201	230	188	59

Size & Weight

Installation drawing

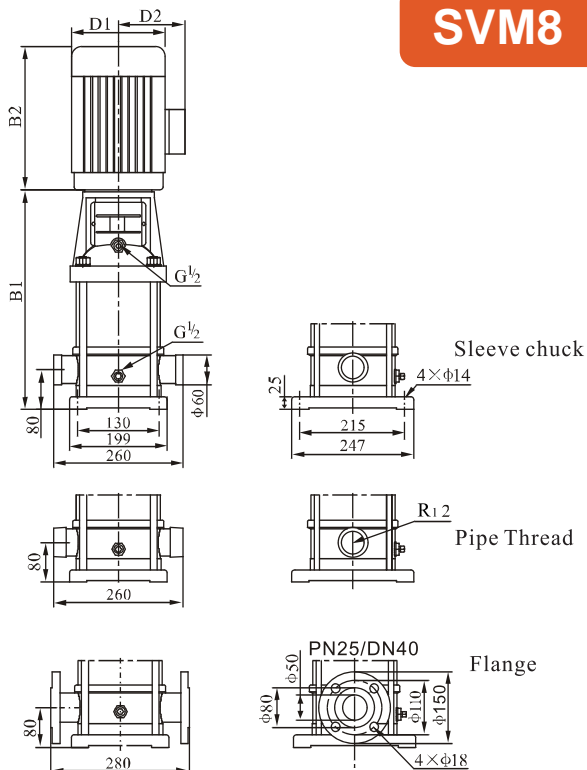


Size & Weight

SVM5

Model	Size(mm)					Weight (kg)
	B1	B2	B1+B2	D1	D2	
SVM5-20	276	225	501	148	117	21
SVM5-30	303	225	528	148	117	22
SVM5-40	330	225	555	148	117	23
SVM5-50	367	245	612	170	142	25
SVM5-60	394	245	639	170	142	26
SVM5-80	448	245	693	170	142	27
SVM5-100	512	290	802	190	155	33
SVM5-120	566	290	856	190	155	37
SVM5-140	620	290	910	190	155	38
SVM5-160	674	290	964	190	155	39
SVM5-180	738	345	1083	197	165	48
SVM5-200	792	345	1137	197	165	49
SVM5-220	846	355	1201	230	185	57
SVM5-240	900	355	1255	230	185	58
SVM5-260	954	355	1309	230	185	59
SVM5-290	1035	355	1390	230	185	60
SVM5-320	1136	390	1526	260	210	75
SVM5-360	1244	390	1634	260	210	76

Installation drawing

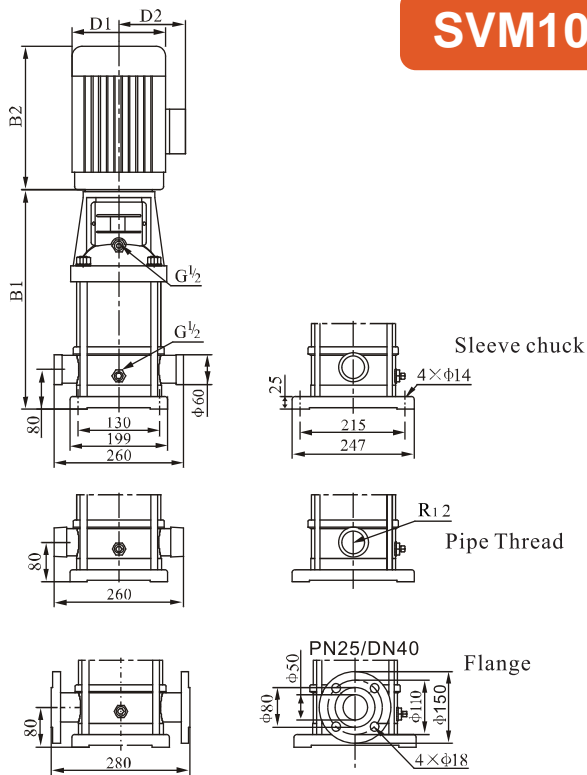


Size & Weight

SVM8

Model	Size(mm)					Weight (kg)
	B1	B2	B1+B2	D1	D2	
SVM8-20	347	245	592	170	142	32
SVM8-30	377	245	622	170	142	34
SVM8-40	417	290	707	190	155	40
SVM8-50	447	290	737	190	155	44
SVM8-60	477	290	767	190	155	45
SVM8-80	547	345	892	197	165	53
SVM8-100	607	355	962	230	188	64
SVM8-120	667	355	1022	230	188	66
SVM8-140	747	390	1137	260	208	81
SVM8-160	807	390	1197	260	208	84
SVM8-180	867	390	1257	260	208	93
SVM8-200	927	390	1317	260	208	94

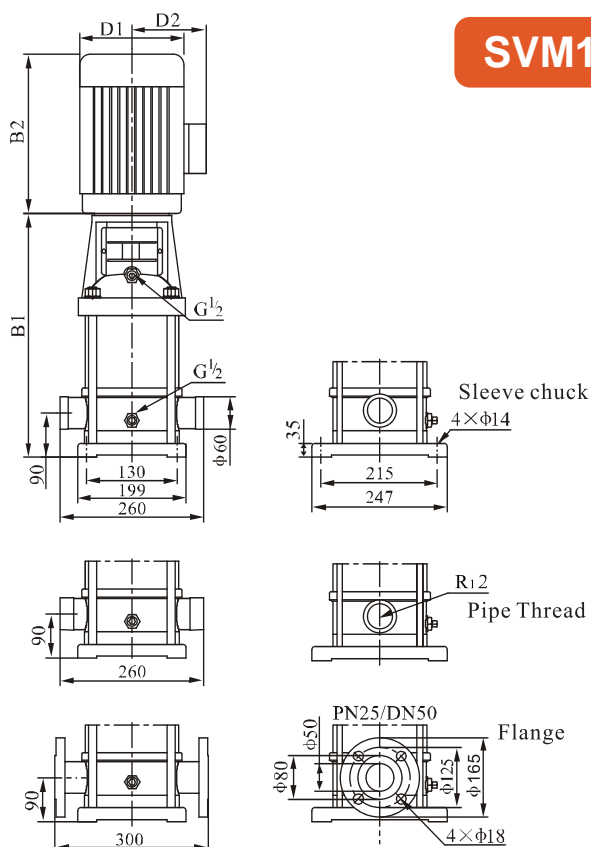
Size & Weight



SVM10

Model	Size(mm)					Weight (kg)
	B1	B2	B1+B2	D1	D2	
SVM10-20	347	245	592	170	142	32
SVM10-30	377	245	722	170	142	34
SVM10-40	417	290	707	190	155	40
SVM10-50	447	290	737	190	155	44
SVM10-60	477	290	767	190	155	45
SVM10-70	517	345	862	197	165	52
SVM10-80	547	345	892	197	165	53
SVM10-90	577	345	922	197	165	54
SVM10-100	607	355	962	230	185	64
SVM10-120	667	355	1022	230	185	66
SVM10-140	747	390	1137	260	210	81
SVM10-160	807	390	1197	260	210	82
SVM10-180	867	390	1257	260	210	93
SVM10-200	927	390	1317	260	210	94
SVM10-220	987	390	1377	260	210	95

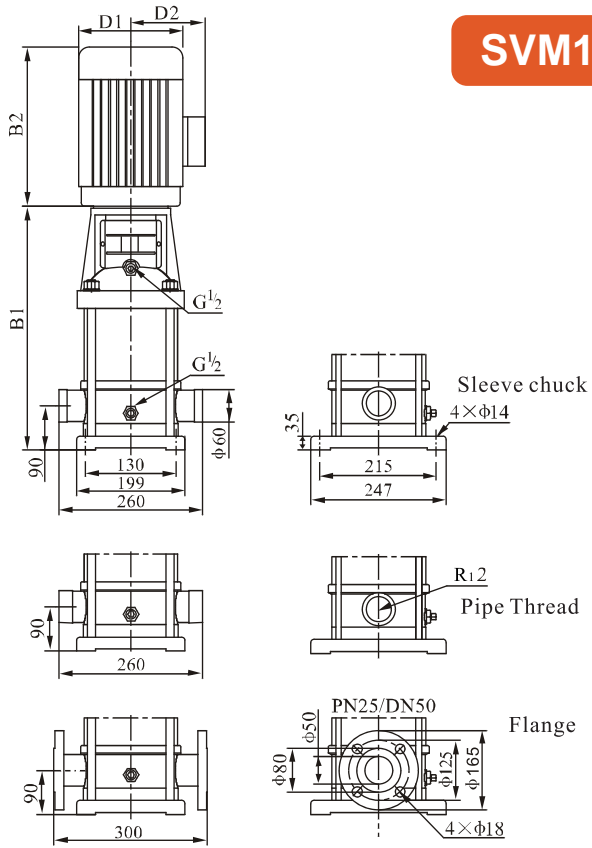
Installation drawing



SVM12

Model	Size(mm)					Weight (kg)
	B1	B2	B1+B2	D1	D2	
SVM12-20	367	290	657	190	155	39
SVM12-30	397	290	687	190	155	43
SVM12-40	437	345	782	197	165	51
SVM12-50	467	345	812	197	165	53
SVM12-60	497	355	852	230	188	61
SVM12-70	547	390	937	260	208	73
SVM12-80	577	390	967	260	208	74
SVM12-90	607	390	997	260	208	76
SVM12-100	637	390	1027	260	208	83
SVM12-120	697	390	1087	260	208	87
SVM12-140	757	390	1147	260	208	108
SVM12-160	905	500	1405	330	255	161
SVM12-180	965	500	1465	330	255	164

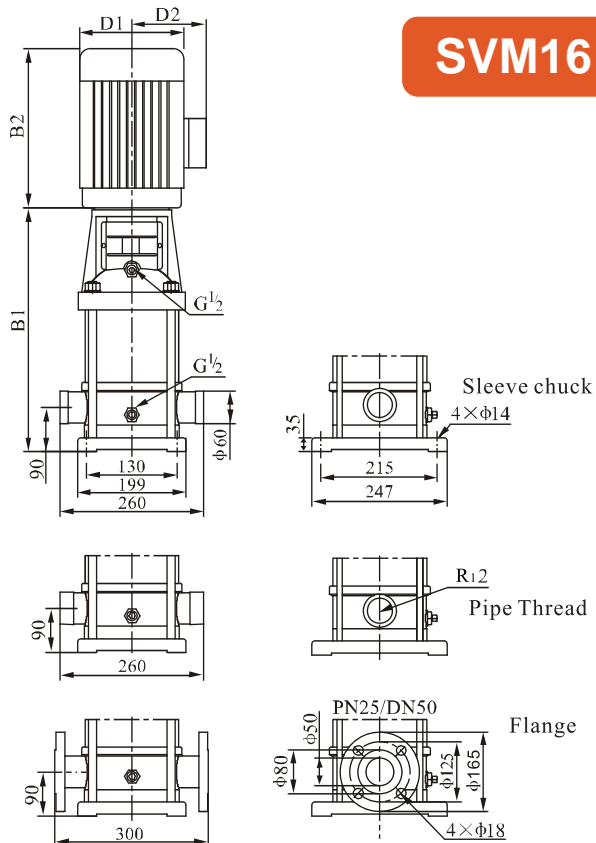
Size & Weight



SVM15

Model	Size(mm)					Weight (kg)
	B1	B2	B1+B2	D1	D2	
SVM15-10	352	245	597	170	142	33
SVM15-20	397	290	687	190	155	42
SVM15-30	452	345	797	197	165	50
SVM15-40	497	355	852	230	185	59
SVM15-50	542	355	897	230	185	60
SVM15-60	607	390	997	260	210	77
SVM15-70	652	390	1042	260	210	78
SVM15-80	697	390	1087	260	210	86
SVM15-90	742	390	1132	260	210	87
SVM15-100	875	500	1375	330	255	160
SVM15-120	965	500	1465	330	255	161
SVM15-140	1055	500	1555	330	255	162
SVM15-170	1190	500	1690	330	255	179

Installation drawing

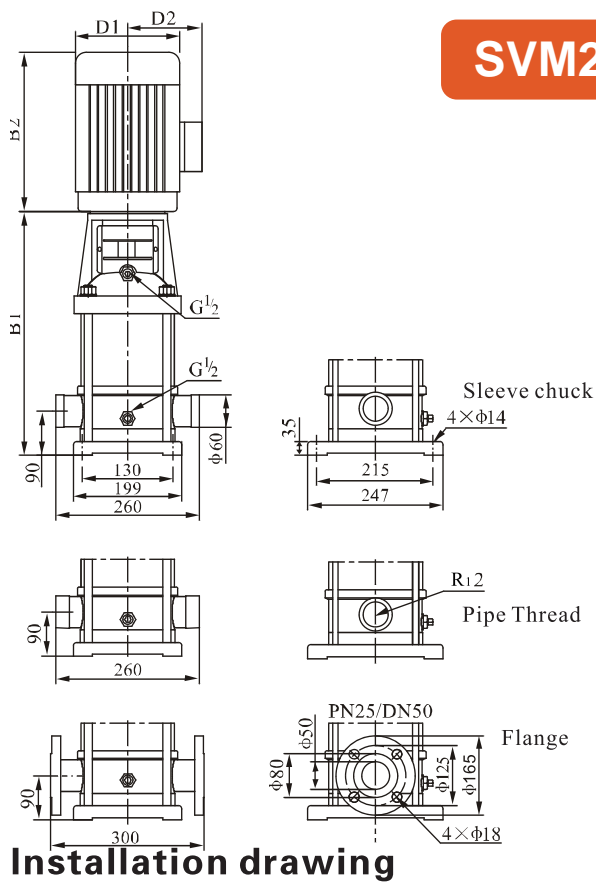


Size & Weight

SVM16

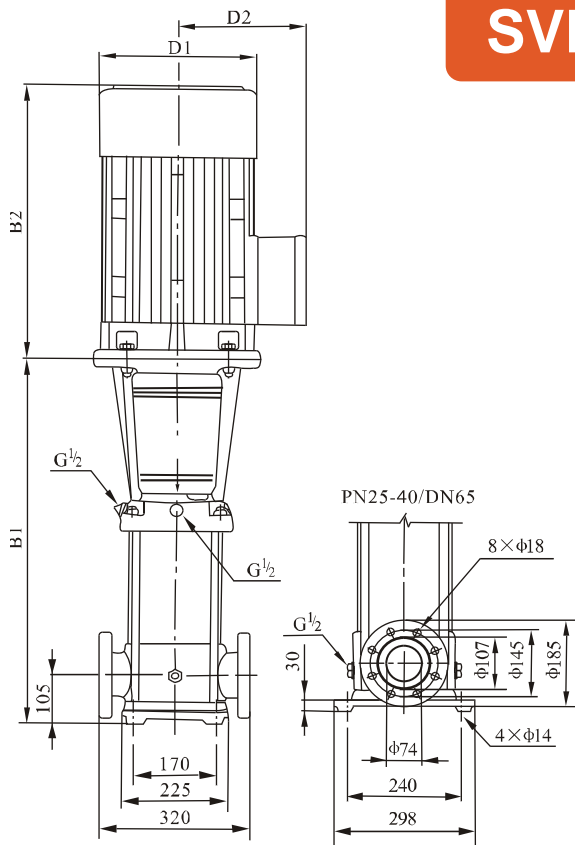
Model	Size(mm)					Weight (kg)
	B1	B2	B1+B2	D1	D2	
SVM16-20	397	290	687	190	155	42
SVM16-30	452	345	797	197	165	50
SVM16-40	497	355	852	230	188	59
SVM16-50	562	390	952	260	208	76
SVM16-60	607	390	997	260	208	77
SVM16-70	652	390	1042	260	208	84
SVM16-80	697	390	1087	260	208	86
SVM16-100	787	390	1177	260	208	106
SVM16-120	965	500	1465	330	255	161
SVM16-140	1055	500	1555	330	255	174
SVM16-160	1145	500	1645	330	255	178

Size & Weight



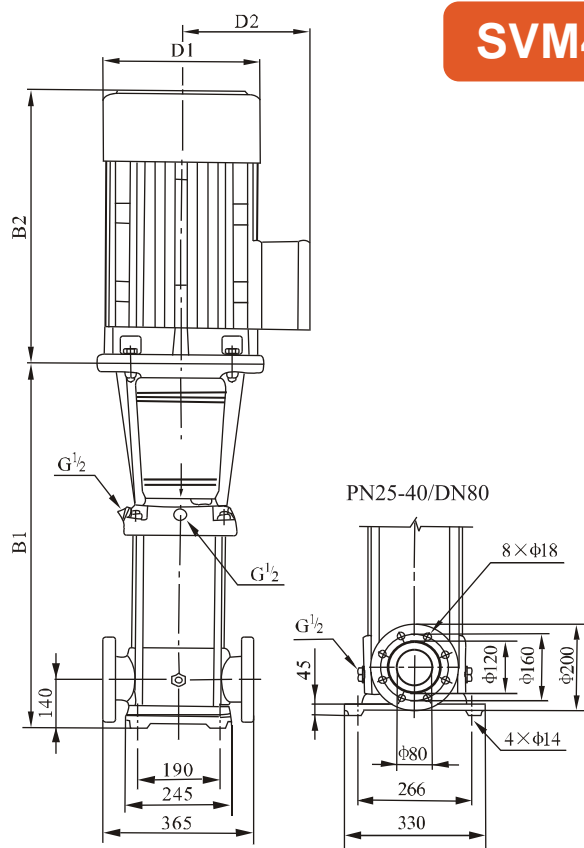
SVM20 Model	Size(mm)					Weight (kg)
	B1	B2	B1+B2	D1	D2	
SVM20-10	387	245	632	170	142	33
SVM20-20	397	290	687	190	155	42
SVM20-30	452	355	807	230	188	58
SVM20-40	517	390	907	260	208	74
SVM20-50	562	390	952	260	208	76
SVM20-60	607	390	997	260	208	82
SVM20-70	652	390	1042	260	208	84
SVM20-80	697	390	1087	260	208	101
SVM20-100	875	500	1375	330	255	157
SVM20-120	965	500	1465	330	255	170
SVM20-140	1055	500	1555	330	255	172
SVM20-170	1190	550	1740	330	255	195

Size & Weight



SVM32 Model	Size(mm)					Weight (kg)
	B1	B2	B1+B2	D1	D2	
SVM32-10-1/SVM32-10	505	290	795	190	155	64/68
SVM32-20-2/SVM32-20	575	345/355	920/930	197/230	165/180	77/85
SVM32-30-2/SVM32-30	645	390	1035	260	208	100
SVM32-40-2/SVM32-40	715	390	1105	260	208	109
SVM32-50-2/SVM32-50	785	390	1175	260	208	125
SVM32-60-2/SVM32-60	960	500	1460	330	255	185
SVM32-70-2/SVM32-70	1030	500	1530	330	255	199
SVM32-80-2/SVM32-80	1100	500	1600	330	255	203
SVM32-90-2/SVM32-90	1170	550	1720	330	255	222
SVM32-100-2/SVM32-100	1240	550	1790	330	255	227
SVM32-110-2/SVM32-110	1310	575	1885	360	285	272
SVM32-120-2/SVM32-120	1380	575	1955	360	285	276
SVM32-130-2/SVM32-130	1450	575	2025	360	285	293
SVM32-140-2/SVM32-140	1520	575/650	2095/2170	360/400	285/310	298/341
SVM32-150-2/SVM32-150	1590	650	2240	400	310	345
SVM32-160-2/SVM32-160	1660	650	2310	400	310	350

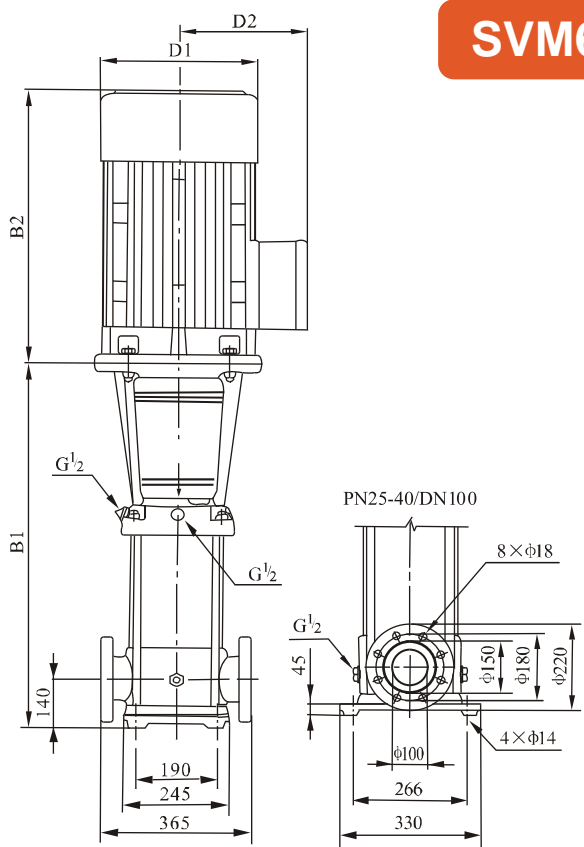
Size & Weight



SVM45

Model	Size(mm)					Weight (kg)
	B1	B2	B1+B2	D1	D2	
SVM45-10-1	561	345/355	906/916	197/230	165/188	83/90
SVM45-10						
SVM45-20-2	641	390	1031	260	208	105/110
SVM45-20						
SVM45-30-2	721/826	390/500	1111/1326	260/330	208/255	127/183
SVM45-30						
SVM45-40-2	906	500	1406	330	255	197
SVM45-40						
SVM45-50-2	986	550	1536	330	255	221
SVM45-50						
SVM45-60-2	1066	575	1641	360	285	261
SVM45-60						
SVM45-70-2	1146	575	1721	360	285	288
SVM45-70						
SVM45-80-2	1226	650	1876	400	310	324
SVM45-80						
SVM45-90-2	1306	650	1956	400	310	328/352
SVM45-90						
SVM45-100-2	1386	650	2036	400	310	355
SVM45-100						
SVM45-110-2	1466	685	2151	450	345	426
SVM45-110						
SVM45-120-2	1546	685	2231	450	345	432
SVM45-120						
SVM45-130-2	1626	685	2311	450	345	438

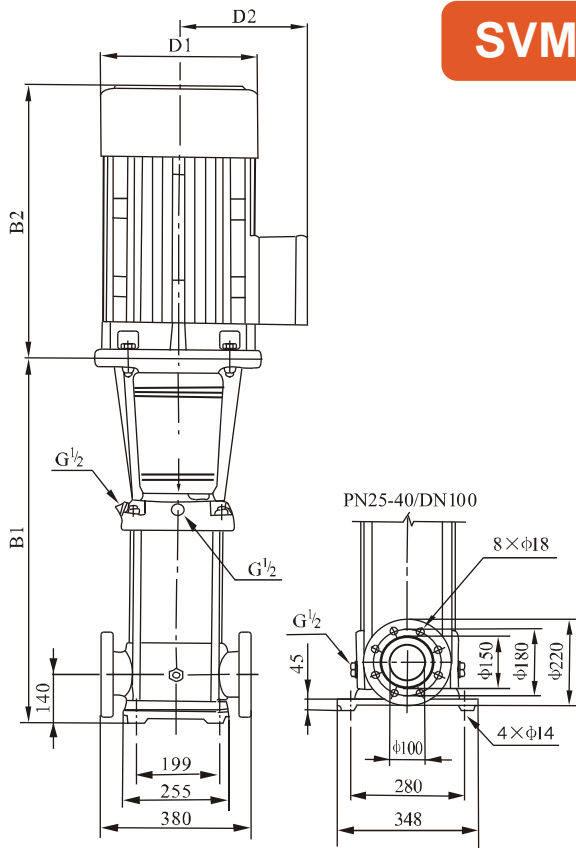
Installation drawing



SVM64

Model	Size(mm)					Weight (kg)
	B1	B2	B1+B2	D1	D2	
SVM64-10-1	561	355	916	230	188	93
SVM64-10	561	390	951	260	208	105
SVM64-20-2	644	390	1034	260	208	110
SVM64-20-1	754	500	1254	330	255	182
SVM64-20	754	500	1254	330	255	182
SVM64-30-2	836	500	1336	330	255	196
SVM64-30-1	836	500	1336	330	255	197
SVM64-30	836	550	1386	330	255	221
SVM64-40-2	919	550	1469	330	255	225
SVM64-40-1	919	575	1494	360	285	258
SVM64-40	919	575	1494	360	285	258
SVM64-50-2	1001	575	1576	360	285	276
SVM64-50-1	1001	575	1576	360	285	276
SVM64-50	1001	650	1651	400	310	320
SVM64-60-2	1084	650	1734	400	310	325
SVM64-60-1	1084	650	1734	400	310	349
SVM64-60	1084	650	1734	400	310	349
SVM64-70-2	1166	650	1816	400	310	353
SVM64-70-1	1166	650	1816	400	310	353
SVM64-70	1166	685	1851	460	340	420
SVM64-80-2	1248	685	1933	460	340	424
SVM64-80-1	1248	685	1933	460	340	424

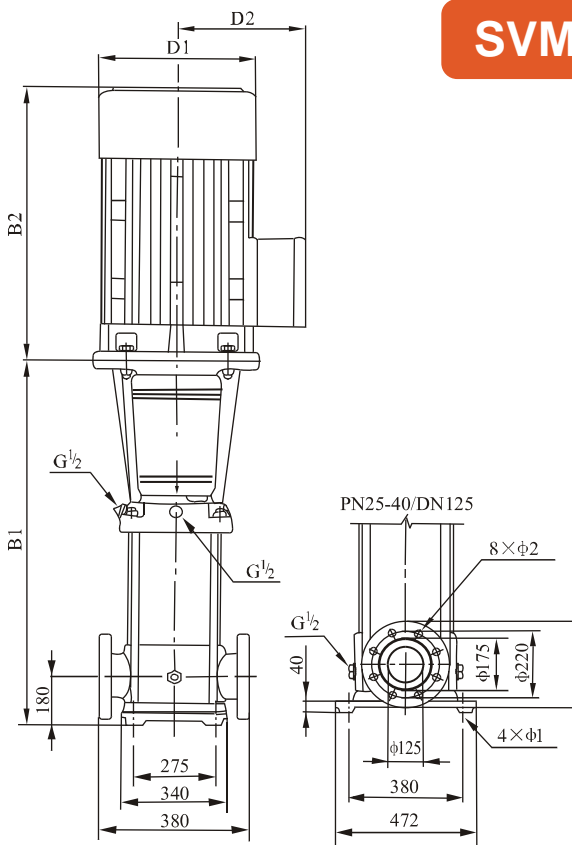
Size & Weight



SVM90

Model	Size(mm)					Weight (kg)
	B1	B2	B1+B2	D1	D2	
SVM90-10-1	571	390	961	260	208	105
SVM90-10	571	390	961	260	208	110
SVM90-20-2	773	500	1273	330	255	181
SVM90-20	773	500	1273	330	255	192
SVM90-30-2	865	550	1415	330	255	215
SVM90-30	865	575	1440	360	285	252
SVM90-40-2	957	575	1532	360	285	271
SVM90-40	957	650	1607	400	310	312
SVM90-50-2	1049	650	1699	400	310	336
SVM90-50	1049	650	1699	400	310	336
SVM90-60-2	1141	685	1826	460	340	407
SVM90-60	1141	685	1826	460	340	407

Installation drawing

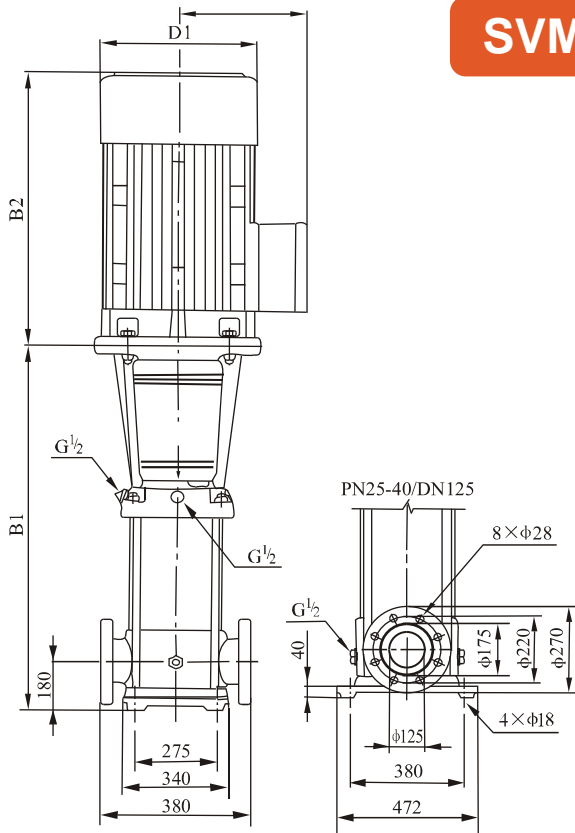


SVM120

Model	Size (mm)					Weight (kg)
	B1	B2	B1+B2	D1	D2	
SVM120-10	840	500	1340	330	255	230
SVM120-20-2	1000	500	1500	330	255	245
SVM120-20-1	1000	550	1550	330	255	250
SVM120-20	1000	575	1575	360	285	285
SVM120-30-2	1160	575	1735	360	285	326
SVM120-30-1	1160	650	1810	400	310	360
SVM120-30	1160	650	1810	400	310	360
SVM120-40-2	1320	650	1970	400	310	400
SVM120-40-1	1320	650	1970	400	310	400
SVM120-40	1320	685	2005	460	340	460
SVM120-50-2	1480	685	2165	460	340	470
SVM120-50-1	1480	685	2165	460	340	470
SVM120-50	1510	760	2270	540	370	575
SVM120-60-2	1670	760	2430	540	370	585
SVM120-60-1	1670	760	2430	540	370	585
SVM120-60	1830	845	2515	580	410	705
SVM120-70-2	1830	845	2675	580	410	715
SVM120-70-1	1830	845	2675	580	410	715
SVM120-70	1830	845	2675	580	410	715

Size & Weight

Installation drawing



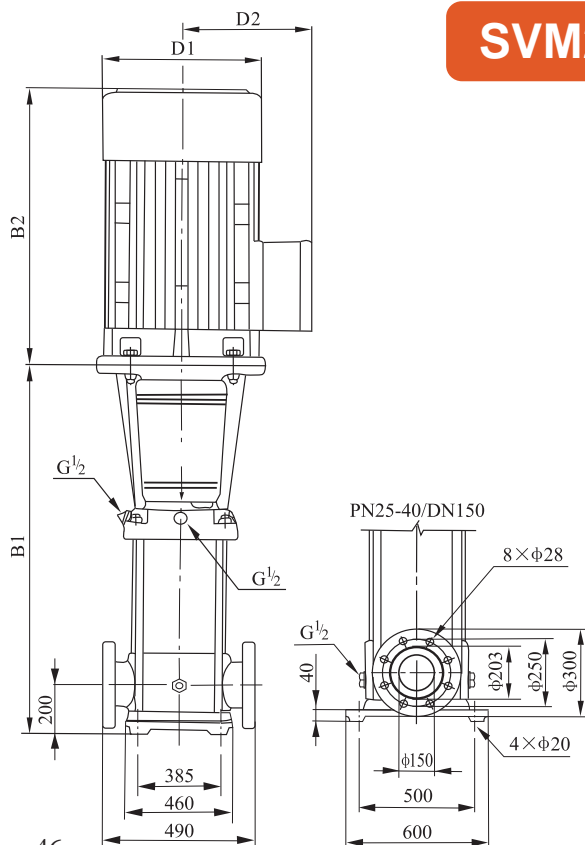
Size & Weight

SVM150

Model

Model	Size(mm)					Weight (kg)
	B1	B2	B1+B2	D1	D2	
SVM150-10-1	840	500	1340	330	255	230
SVM150-10	840	500	1340	330	255	235
SVM150-20-2	1000	550	1550	330	255	250
SVM150-20-1	1000	575	1575	360	285	295
SVM150-20	1000	575	1575	360	285	317
SVM150-30-2	1160	650	1810	400	310	360
SVM150-30-1	1160	650	1810	400	310	360
SVM150-30	1160	650	1810	400	310	385
SVM150-40-2	1320	685	2005	460	340	460
SVM150-40-1	1320	685	2005	460	340	460
SVM150-40	1350	760	2110	540	370	560
SVM150-50-2	1510	760	2270	540	370	570
SVM150-50-1	1510	845	2355	580	410	690
SVM150-50	1510	845	2355	580	410	690
SVM150-60-2	1670	845	2515	580	410	700
SVM150-60-1	1670	845	2515	580	410	700
SVM150-60	1670	845	2515	580	410	700

Installation drawing



Size & Weight

SVM200

Model

Model	Size(mm)					Weight (kg)
	B1	B2	B1+B2	D1	D2	
SVM200-10-B	907	550	1457	330	255	311
SVM200-10-A	907	575	1482	360	285	347
SVM200-10	907	650	1557	400	310	403
SVM200-20-2B	1101	650	1751	400	310	447
SVM200-20-2A	1101	685	1786	460	340	504
SVM200-20-A	1131	760	1891	540	370	595
SVM200-20	1131	760	1891	540	370	595
SVM200-30-2B	1325	845	2170	580	410	748
SVM200-30-A-B	1325	845	2170	580	410	748
SVM200-30-2A	1325	845	2170	580	410	748
SVM200-30-B	1325	845	2170	580	410	748
SVM200-30-A	1325	845	2170	580	410	748
SVM200-30	1325	895	2220	580	410	817
SVM200-40-2B	1519	895	2414	580	410	830
SVM200-40-2A	1519	1140	2659	645	550	1180
SVM200-40-A	1519	1140	2659	645	550	1180
SVM200-40	1519	1140	2659	645	550	1180

Mechanical Seal

Model	Diameter (mm)
SVM 1/2/3/4/5	Ø12
SVM 8/10/12/15/16/20	Ø16
SVM 32/45/64/90	Ø22
SVM 120/150	Ø32
SVM 200	Ø36

Shaft

Model	Diameter (mm)
SVM 1/2/3/4/5	Ø12
SVM 8/10/12/15/16/20	Ø16
SVM 32/45/64/90	Ø22
SVM 120/150	Ø32
SVM 200	Ø36

Motor Mounts

Frame Size	Power (kW)	Mounting	IP55	
			Front Bearing	Back Bearing
71	0.37 / 0.55	V18 / B14	6202	6202
80	0.75 / 1.1	V18 / B14	6204	6204
YL80 Single Phase	0.75 / 1.1	V18 / B14	6204	6204
90	1.5 / 2.2	V18 / B14	6305	6205
YL90 Single Phase	1.5 / 2.2	V18 / B14	6305	6205
100	3	V18 / B14	6306	6206
112	4	V18 / B14	6306	6306
132	5.5 / 7.5	V18 / B14	7308B / 6308	6308
160	11 / 15 / 18.5	V1 / B5	7309B / 6309	6309
180	22	V1 / B5	6311	7311A
200	30 / 37	V1 / B5	6312	7312A
225	45	V1 / B5	6313	7313A
250	55 / 75	V1 / B5	6314	7314A
280	90	V1 / B5	6317	7317A

Motor Amps

AMPS FOR 3PHASE 400V MOTORS

NO	TYPE	RPM	kW	Hz	v	A	CONN
1	YE2-71M1-2	2800	0,37	50	400	1,0	Y
2	YE2-71M2-2	2800	0,55	50	400	1,3	Y
1	YE2-80M1-2	2875	0,75	50	400	1,7	Y
2	YE2-80M2-2	2875	1,1	50	400	2,4	Y
3	YE2-90S-2	2890	1,5	50	400	3,1	Y
4	YE2-90L-2	2890	2,2	50	400	4,5	Y
5	YE2-100L-2	2890	3	50	400	5,9	Y
6	YE2-112M-2	2900	4	50	400	7,6	Δ
7	YE2-132S1-2	2920	5,5	50	400	10,4	Δ
8	YE2-132S2-2	2920	7,5	50	400	14,0	Δ
10	YE2-160M1-2	2940	11	50	400	20,0	Δ
11	YE2-160M2-2	2940	15	50	400	27,0	Δ
12	YE2-160L-2	2940	18,5	50	400	32,7	Δ
13	YE2-180M-2	2960	22	50	400	38,7	Δ
14	YE2-200L1-2	2960	30	50	400	52,3	Δ
15	YE2-200L2-2	2960	37	50	400	64,1	Δ
16	YE2-225M-2	2970	45	50	400	77,7	Δ
17	YE2-250M-2	2970	55	50	400	95,0	Δ
18	YE2-280S-2	2970	75	50	400	128,3	Δ
19	YE2-280M-2	2970	90	50	400	152,0	Δ



vansan

WATER TECHNOLOGIES




HEAD OFFICE:
+27 (012) 819-1196
sales@vansan.co.za

PE BRANCH:
+27 (041) 450 7803
adminpe@vansan.co.za

CAPE TOWN BRANCH:
+27 (021) 949 0902
salescpt@vansan.co.za

www.vansan.co.za

 @vansan_sa

 [linkedin.com/company/vansan-sa](https://www.linkedin.com/company/vansan-sa)

 [facebook.com/vansansa](https://www.facebook.com/vansansa)